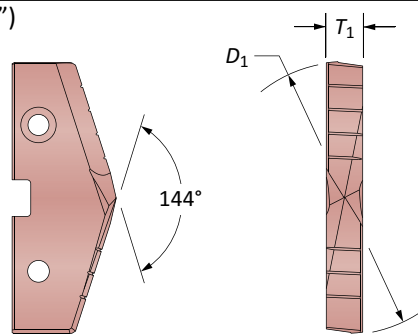
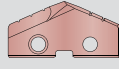
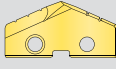


## GEN2 T-A® Drill Inserts

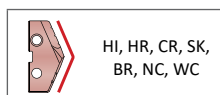
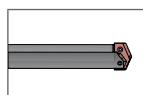
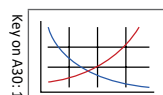
7 Series | HSS | Diameter Range: 89.10mm - 101.60mm (3.508" - 4.000")



## HSS Inserts – Super Cobalt | HSS

Insert			T <sub>1</sub> mm	Super Cobalt Part No.	HSS Part No.
D <sub>1</sub> mm	D <sub>1</sub> inch	Fractional Equivalent		 AM200®	
89.69	3.5313	3-17/32	11.11	457H-0317	
90.00	3.5433	-		457H-90	
90.49	3.5625	3-9/16		457H-0318	
91.28	3.5938	3-19/32		457H-0319	
92.00	3.6221	-		457H-92	
92.08	3.6250	3-5/8		457H-0320	
92.87	3.6563	3-21/32		457H-0321	
93.66	3.6875	3-11/16		457H-0322	
94.00	3.7008	-		457H-94	
94.46	3.7188	3-23/32		457H-0323	
95.25	3.7500	3-3/4		457H-0324	
96.00	3.7795	-		457H-96	
96.04	3.7813	3-25/32		457H-0325	
96.84	3.8125	3-13/16		457H-0326	
97.63	3.8438	3-27/32		457H-0327	
98.00	3.8583	-		457H-98	
98.43	3.8750	3-7/8		457H-0328	
99.22	3.9063	3-29/32		457H-0329	
100.00	3.9370	-		457H-100	
100.01	3.9375	3-15/16		457H-0330	
100.81	3.9688	3-31/32	457H-0331		
101.60	4.0000	4	457H-0400		

Inserts sold in quantities of 1



Coatings not listed above can be supplied as non-stocked standards.



	AM200® = 131H-XXXX