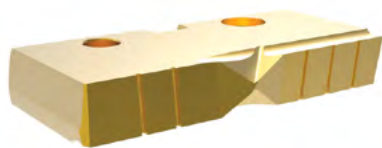
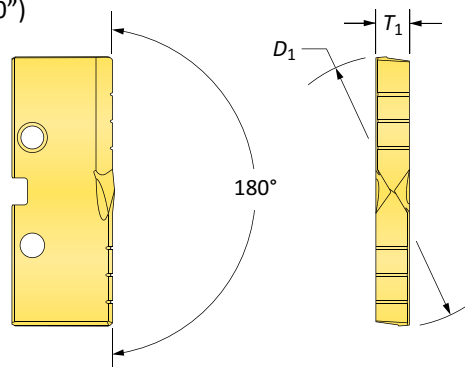


**T-A® Original Drill Inserts**

4 Series | HSS | Diameter Range: 46.99mm - 65.28mm (1.850" - 2.570")

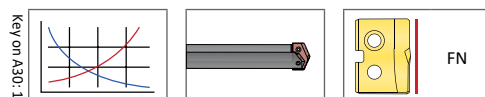


Flat Bottom


**HSS Inserts – Super Cobalt**

Insert				Part No.
$D_1$ mm	$D_1$ inch	Fractional Equivalent	$T_1$ mm	
48.00	1.8898	–	7.94	-48-FB
48.42	1.9063	1-29/32		154T-0129-FB
49.00	1.9291	–		154T-49-FB
49.21	1.9375	1-15/16		154T-0130-FB
50.00	1.9685	–		154T-50-FB
50.01	1.9688	1-31/32		154T-0131-FB
50.80	2.0000	2		154T-0200-FB
51.00	2.0079	–		154T-51-FB
51.59	2.0313	2-1/32		154T-0201-FB
52.00	2.0472	2-3/64		154T-52-FB
52.39	2.0625	2-1/16		154T-0202-FB
53.00	2.0866	–		154T-53-FB
53.18	2.0938	2-3/32		154T-0203-FB
53.98	2.1250	2-1/8		154T-0204-FB
54.00	2.1260	–		154T-54-FB
54.77	2.1563	2-5/32		154T-0205-FB
55.00	2.1654	–		154T-55-FB
55.56	2.1875	2-3/16		154T-0206-FB
56.00	2.2047	–		154T-56-FB
56.36	2.2188	2-7/32		154T-0207-FB
57.00	2.2441	–		154T-57-FB
57.15	2.2500	2-1/4		154T-0208-FB
57.94	2.2813	2-9/32		154T-0209-FB
58.00	2.2835	–		154T-58-FB
58.74	2.3125	2-5/16		154T-0210-FB
59.00	2.3228	–		154T-59-FB
59.53	2.3438	2-11/32		154T-0211-FB
60.00	2.3622	–		154T-60-FB
60.33	2.3750	2-3/8		154T-0212-FB
61.00	2.4016	–		154T-61-FB
61.12	2.4063	2-13/32		154T-0213-FB
61.91	2.4375	2-7/16		154T-0214-FB
62.00	2.4409	–	154T-62-FB	
62.71	2.4688	2-15/32	154T-0215-FB	
63.00	2.4803	–	154T-63-FB	
63.50	2.5000	2-1/2	154T-0216-FB	
64.00	2.5197	–	154T-64-FB	
64.29	2.5313	2-17/32	154T-0217-FB	
65.00	2.5591	–	154T-65-FB	
65.09	2.5625	2-9/16	154T-0218-FB	

- Ideální pro zploštění nebo vyrovnání dna již existujícího otvoru s vysokou tuhostí
- Obsahuje malý 10° bod na středu destičky.



Coatings not listed above can be supplied as non-stocked standards.



Inserts sold in quantities of 1	
TiN = 131T-XXXX	