

# DIGITAL OUTSIDE MICROMETERS (WITH DATA OUTPUT)

DATA  
OUTPUT

IP65  
WATERPROOF

**INSPECTION  
CERTIFICATE**  
TRACEABLE TO DKD

## Ratchet stop type

Code	Range	Accuracy	L	a	b	c
3101-25A*	0-25mm/0-1"	±2µm	34.5	6	25	3
3101-50A*	25-50mm/1-2"	±2µm	59.5	8	32	3
3101-75A*	50-75mm/2-3"	±3µm	84.5	8	44.5	3
3101-100A*	75-100mm/3-4"	±3µm	109.5	8	57	3
3101-125A	100-125mm/4-5"	±3µm	135	10	70	3
3101-150A	125-150mm/5-6"	±3µm	160.5	10	82	3
3101-175A	150-175mm/6-7"	±4µm	186	12	94.5	5.5
3101-200A	175-200mm/7-8"	±4µm	211.5	12	107	5.5
3101-225A	200-225mm/8-9"	±4µm	236	23	129.5	5.5
3101-250A	225-250mm/9-10"	±4µm	261.5	23	142.5	5.5
3101-275A	250-275mm/10-11"	±5µm	287	23	155	5.5
3101-300A	275-300mm/11-12"	±5µm	312.5	23	167.5	5.5

## Friction thimble type

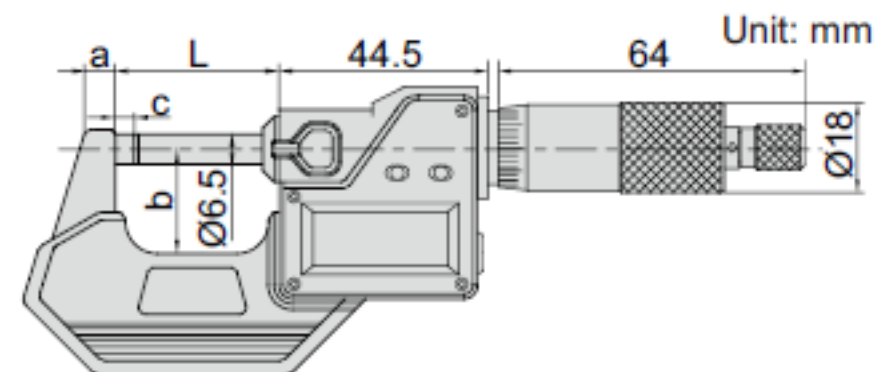
Code	Range	Accuracy	L	a	b	c
3101-25FA*	0-25mm/0-1"	±2µm	34.5	6	25	3

\* Supplied with manufacturer inspection certificate traceable to DKD Germany



3101-25A

data output



- Resolution 0.001mm/0.00005" (resolution of 3101-275A and 3101-300A is 0.001mm/0.0001")
- IP65 dust/waterproof
- Button function: on/off, set, mm/inch, ABS/INC
- Data output
- LR44 battery, automatic power off
- Carbide measuring faces
- Supplied with spherical anvil
- Setting standards are included (except 0-25mm/0-1")
- Optional accessory: data output cable (code 7306-30A, 7302-SPC6, 7305-SPC3A)

