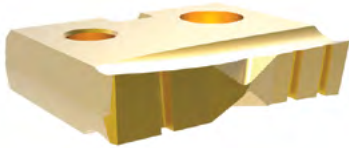


T-A® Original Drill Inserts

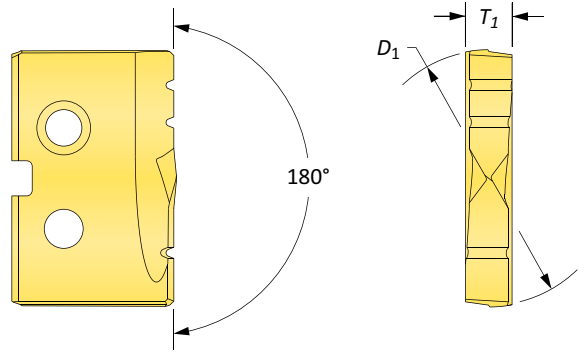
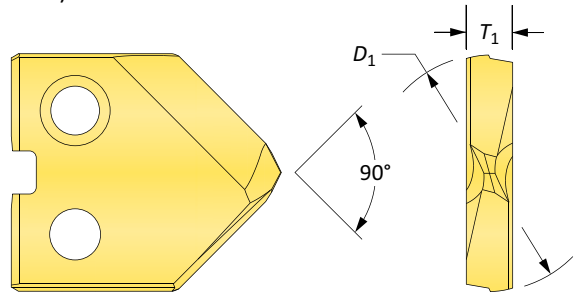
1 Series | HSS | Diameter Range: 17.53mm - 24.38mm (0.690" - 0.960")



90° Spot & Chamfer



Flat Bottom



HSS Inserts – Super Cobalt

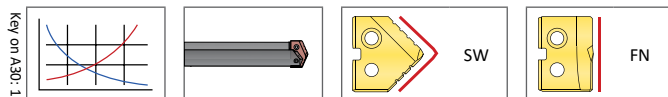
Series	Insert				90° Spot & Chamfer Part No.			Flat Bottom Part No.
	D ₁ mm	D ₁ inch	Fractional Equivalent	T ₁ mm	TiN	TiAlN	TiCN	TiN
1	17.86	0.7031	45/64	4.00	151T-.703-SP	151A-.703-SP	151N-.703-SP	151T-.703-FB
	18.00	0.7087	-		151T-18-SP	151A-18-SP	151N-18-SP	151T-18-FB
	18.26	0.7188	23/32		151T-0023-SP	151A-0023-SP	151N-0023-SP	151T-0023-FB
	18.50	0.7283	-		151T-18.5-SP	151A-18.5-SP	151N-18.5-SP	151T-18.5-FB
	18.65	0.7344	47/64		151T-.734-SP	151A-.734-SP	151N-.734-SP	151T-.734-FB
	19.00	0.7480	-		151T-19-SP	151A-19-SP	151N-19-SP	151T-19-FB
	19.05	0.7500	3/4		151T-0024-SP	151A-0024-SP	151N-0024-SP	151T-0024-FB
	19.45	0.7656	49/64		151T-.765-SP	151A-.765-SP	151N-.765-SP	151T-.765-FB
	19.50	0.7677	-		151T-19.5-SP	151A-19.5-SP	151N-19.5-SP	151T-19.5-FB
	19.84	0.7813	25/32		151T-0025-SP	151A-0025-SP	151N-0025-SP	151T-0025-FB
	20.00	0.7874	-		151T-20-SP	151A-20-SP	151N-20-SP	151T-20-FB
	20.24	0.7969	51/64		151T-.796-SP	151A-.796-SP	151N-.796-SP	151T-.796-FB
	20.34	0.8010	-		151T-.801-SP	151A-.801-SP	151N-.801-SP	151T-.801-FB
	20.50	0.8071	-		151T-20.5-SP	151A-20.5-SP	151N-20.5-SP	151T-20.5-FB
	20.64	0.8125	13/16		151T-0026-SP	151A-0026-SP	151N-0026-SP	151T-0026-FB
21.00	0.8268	-	151T-21-SP	151A-21-SP	151N-21-SP	151T-21-FB		
21.43	0.8438	27/32	151T-0027-SP	151A-0027-SP	151N-0027-SP	151T-0027-FB		
21.50	0.8465	-	151T-21.5-SP	151A-21.5-SP	151N-21.5-SP	151T-21.5-FB		
1.5	21.83	0.8594	55/64	4.0	151T-.859-SP	151A-.859-SP	151N-.859-SP	151T-.859-FB
	22.00	0.8661	-		151T-22-SP	151A-22-SP	151N-22-SP	151T-22-FB
	22.23	0.8750	7/8		151T-0028-SP	151A-0028-SP	151N-0028-SP	151T-0028-FB
	22.50	0.8858	-		151T-22.5-SP	151A-22.5-SP	151N-22.5-SP	151T-22.5-FB
	20.62	0.8906	57/64		151T-.890-SP	151A-.890-SP	151N-.890-SP	151T-.890-FB
	23.00	0.9055	-		151T-23-SP	151A-23-SP	151N-23-SP	151T-23-FB
	23.02	0.9063	29/32		151T-0029-SP	151A-0029-SP	151N-0029-SP	151T-0029-FB
	23.42	0.9219	59/64		151T-.921-SP	151A-.921-SP	151N-.921-SP	151T-.921-FB
	23.50	0.9252	-		151T-23.5-SP	151A-23.5-SP	151N-23.5-SP	151T-23.5-FB
	23.81	0.9375	15/16		151T-0030-SP	151A-0030-SP	151N-0030-SP	151T-0030-FB
	24.00	0.9449	-		151T-24-SP	151A-24-SP	151N-24-SP	151T-24-FB

NOTE: 1.5 series inserts fit into both 1 and 1.5 series holders. However, 1 series inserts ONLY fit into 1 series holders. See page A30: 7 for visual.

Destičky série 1,5 se vejdou do držáků série 1 i 1,5. Destičky série 1 se vkládají pouze do držáků série 1.

- Ideální pro zploštění nebo vyrovnání dna již existujícího otvoru s vysokou tuhostí
- Obsahuje malý 10° bod na středu destičky.

Inserts sold in quantities of 2



Coatings not listed above can be supplied as non-stocked standards.

TiN = 131T-XXXX	TiAlN = 131A-XXXX
TiCN = 131N-XXXX	AM200® = 131H-XXXX