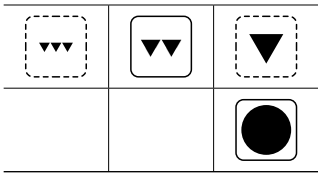
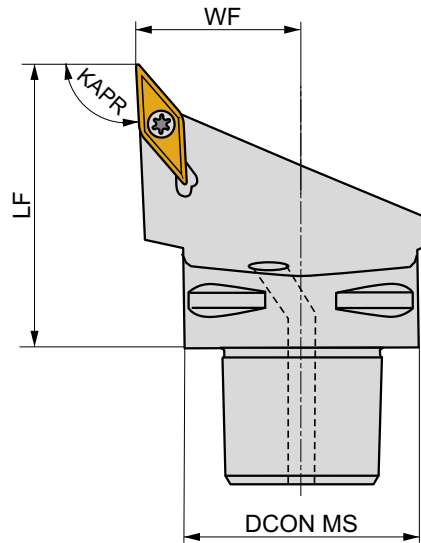
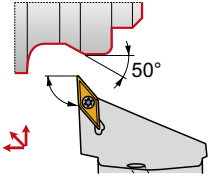
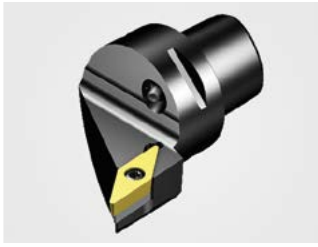


C.-SVJB(RL) EXT

P M K N S H

S

PRAMET



	DCON MS	WF	LF	KAPR	LAMS	GAMO		kg		
	[mm]	[mm]	[mm]	[°]	[°]	[°]				
C3-SVJBR-22040-11-B1	32	22	40	93	0	0	✓	0,20	GI194	C-SV11
C4-SVJBR-27050-11-B1	40	27	50	93	0	0	✓	0,38	GI194	C-SV11
C4-SVJBR/L-27050-16	40	27	50	93	0	0	✓	0,35	GI017	C-SV16S-1
C5-SVJBR/L-35060-16	50	35	60	93	0	0	✓	0,64	GI017	C-SV16S-2
C6-SVJBR/L-45065-16	63	45	65	93	0	0	✓	1,11	GI017	C-SV16S-2

GI194	VB.. 1103..	VC.. 1103..
GI017	VB.. 1604..	VC.. 1604..

C-SV11	US 2003-T07P	0,8	M2,5	6,5	-	-	FLAGT07P	CN 034-01	
C-SV16S-1	US 2001-T15P	3,0	M3,5	12,1	SVS 270-01	MS 9001	FLAGT15P/3,5	CN 034-01	
C-SV16S-2	US 2001-T15P	3,0	M3,5	12,1	SVS 270-01	MS 9001	FLAGT15P/3,5	CN 034-02	