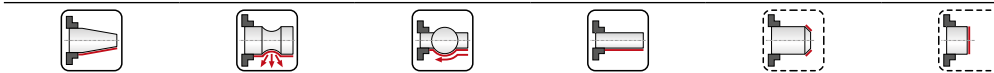
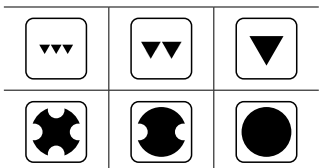
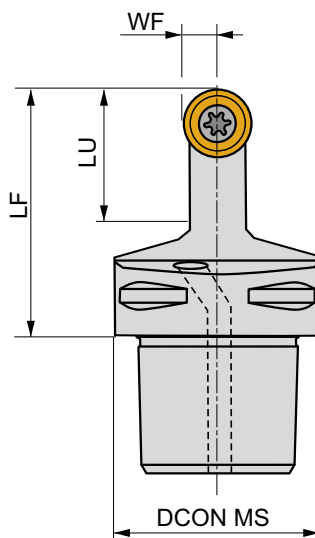
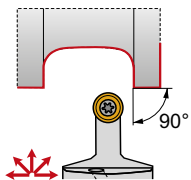


C.-SRDCN EXT

P M K N S H

S

PRAMET



	DCON MS	WF	LF	LU	LAMS	GAMO		kg		
	[mm]	[mm]	[mm]	[mm]	[°]	[°]				
C5-SRDCN-00060-10A	50	5	60	25	0	0	✓	0,62	GI013	C-SR10V
C4-SRDCN-00050-12A	40	6	50	28	0	0	✓	0,33	GI014	C-SR12V-1
C5-SRDCN-00060-12A	50	6	60	28	0	0	✓	0,62	GI014	C-SR12V-2

GI013	RC.. 10T3M0
GI014	RC.. 1204M0

C-SR10V	US 2010-T15P	3,0	M3,5	10,1	SRS 110-01	MS 9001	FLAGT15P/3,5	CN 034-02
C-SR12V-1	US 2001-T15P	3,0	M3,5	12,1	SRS 110-02	MS 9001	FLAGT15P/3,5	CN 034-01
C-SR12V-2	US 2001-T15P	3,0	M3,5	12,1	SRS 110-02	MS 9001	FLAGT15P/3,5	CN 034-02