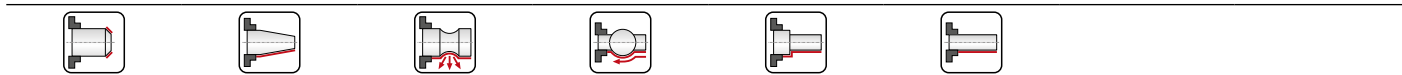
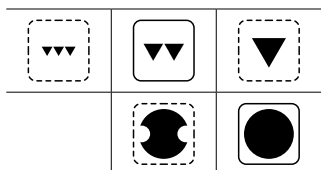
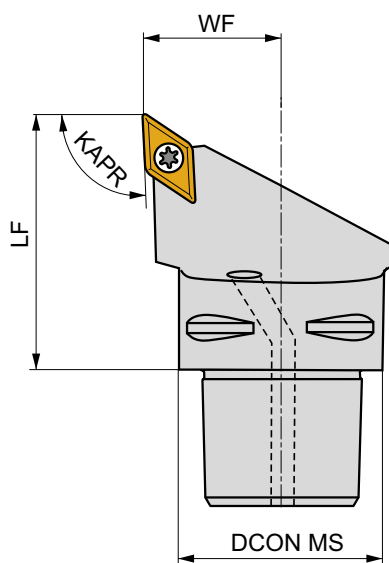
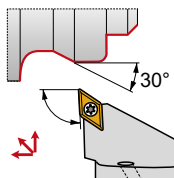


C.-SDJCR(L) EXT

P M K N S H

S

PRAMET



	DCON MS	WF	LF	KAPR	LAMS	GAMO				
	[mm]	[mm]	[mm]	[°]	[°]	[°]				
C3-SDJCR/L-22040-11	32	22	40	93	0	0	✓	0,21	GI012	C-SD11V-1
C4-SDJCR/L-27050-11	40	27	50	93	0	0	✓	0,41	GI012	C-SD11V-1
C5-SDJCR/L-35060-11	50	35	60	93	0	0	✓	0,69	GI012	C-SD11V-2

GI012	DC..11T3..

C-SD11V-1	US 2001-T15P	3,0	M3,5	12,1	SDS 263-01	MS 9001	FLAG T15P/3,5	CN 034-01
C-SD11V-2	US 2001-T15P	3,0	M3,5	12,1	SDS 263-01	MS 9001	FLAG T15P/3,5	CN 034-02