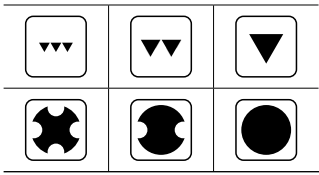
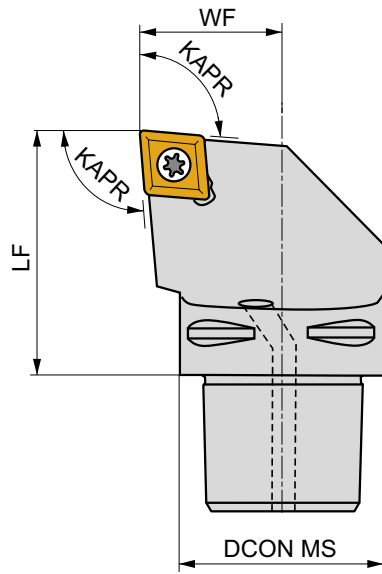
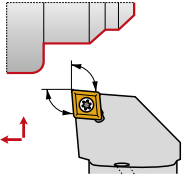


C.-SCLC(RL) EXT

P M K N S H

S

PRAMET



	DCON MS	WF	LF	KAPR	LAMS	GAMO		kg		
	[mm]	[mm]	[mm]	[°]	[°]	[°]				
C3-SCLCR/L-22040-09	32	22	40	95	0	0	✓	0,24	GI041	C-SC09S
C4-SCLCR/L-27050-09	40	27	50	95	0	0	✓	0,46	GI041	C-SC09S
C4-SCLCR-27050-12	40	27	50	95	0	0	✓	0,45	GI011	C-SC12-1
C5-SCLCR/L-35060-12	50	35	60	95	0	0	✓	0,85	GI011	C-SC12-2

GI041	CC.. 09T3..
GI011	CN.. 1606..

C-SC09S	US 2001-T15P	3,0	M3,5	12,1	SCS 232-01	MS 9001	FLAG T15P/3,5	CN 034-01
C-SC12-1	US 2018-T15P	3,0	M4	14	SCS 232-02	MS 9003	FLAG T15P/4	CN 034-01
C-SC12-2	US 2018-T15P	3,0	M4	14	SCS 232-02	MS 9003	FLAG T15P/4	CN 034-02