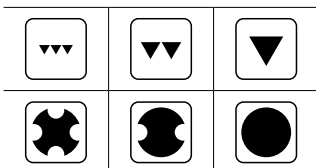
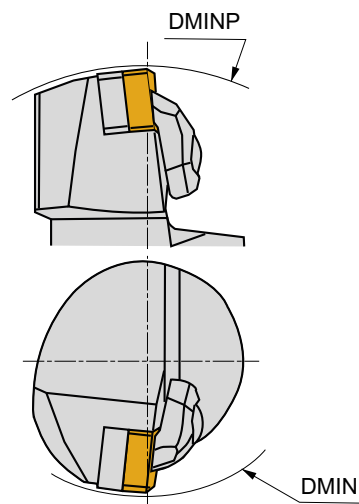
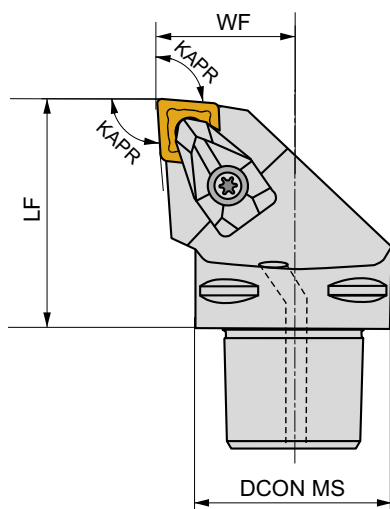
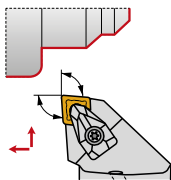
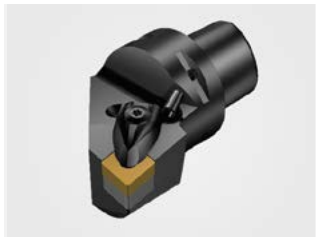


C-DCLN(RL) EXT

P M K N S H

D

PRAMET



| | DCON MS | DMIN | DMINP | WF | LF | KAPR | LAMS | GAMO | | kg | | | |
|----------------------------|---------|------|-------|------|------|------|------|------|---|------|-------|--------|-------|
| | [mm] | [mm] | [mm] | [mm] | [mm] | [°] | [°] | [°] | | | | | |
| C3-DCLNR-22045-12 | 32 | 60 | 121 | 22 | 45 | 95 | -6 | -6 | ✓ | 0,26 | GI043 | C-DC12 | AT001 |
| C4-DCLNR/L-27050-12 | 40 | 110 | 140 | 27 | 50 | 95 | -6 | -6 | ✓ | 0,44 | GI043 | C-DC12 | AT001 |
| C4-DCLNR/L-27055-16 | 40 | 125 | 145 | 27 | 55 | 95 | -6 | -6 | ✓ | 0,48 | GI050 | C-DC16 | AT005 |
| C5-DCLNR/L-35060-12 | 50 | 110 | 165 | 35 | 60 | 95 | -6 | -6 | ✓ | 0,79 | GI043 | C-DC12 | AT001 |
| C5-DCLNR/L-35060-16 | 50 | 125 | 165 | 35 | 60 | 95 | -6 | -6 | ✓ | 0,79 | GI050 | C-DC16 | AT005 |
| C6-DCLNR/L-45065-12 | 63 | 110 | 190 | 45 | 65 | 95 | -6 | -6 | ✓ | 1,32 | GI043 | C-DC12 | AT001 |
| C6-DCLNR/L-45065-16 | 63 | 125 | 190 | 45 | 65 | 95 | -6 | -6 | ✓ | 1,34 | GI050 | C-DC16 | AT005 |
| C6-DCLNR/L-45065-19 | 63 | 81 | 190 | 45 | 65 | 95 | -6 | -6 | ✓ | 1,34 | GI042 | C-DC19 | - |
| C8-DCLNL-55080-16 | 80 | 125 | 250 | 55 | 80 | 95 | -6 | -6 | ✓ | 2,59 | GI050 | C-DC16 | AT005 |
| C8-DCLNR/L-55080-19 | 80 | 100 | 250 | 55 | 80 | 95 | -6 | -6 | ✓ | 2,61 | GI042 | C-DC19 | - |

| GI043 | CN.. 1204.. |
|-------|-------------|
| GI050 | CN.. 1606.. |
| GI042 | CN.. 1906.. |

| DC12 | DCS 12 | 3,9 | DCS 236-03 | US 2002-T15P | FLAG T15P/3,5 | - | - |
|--------|--------|-----|------------|--------------|---------------|--------|-----------|
| C-DC12 | DCS 12 | 3,9 | DCS 234-01 | US 2002-T15P | FLAG T15P/3,5 | - | CN 045-01 |
| C-DC16 | DCS 16 | 6,4 | DCS 234-03 | US 2007-T20P | - | LKT20P | CN 045-01 |
| C-DC19 | DCS 19 | 6,4 | DCS 236-01 | US 2007-T20P | - | LKT20P | CN 045-01 |

| AT001 | CN.. 1207.. | - | DCS 234-02 |
|-------|-----------------|----------|------------|
| AT005 | CN.. 1607.. | - | DCS 234-04 |
| AT001 | CER CN.N 1204.. | DCS 12C4 | - |
| AT001 | CER CN.A 1204.. | DCS 12C2 | - |
| AT005 | CER CN.N 1606.. | DCS 16C4 | - |
| AT005 | CER CN.A 1606.. | DCS 16C2 | - |