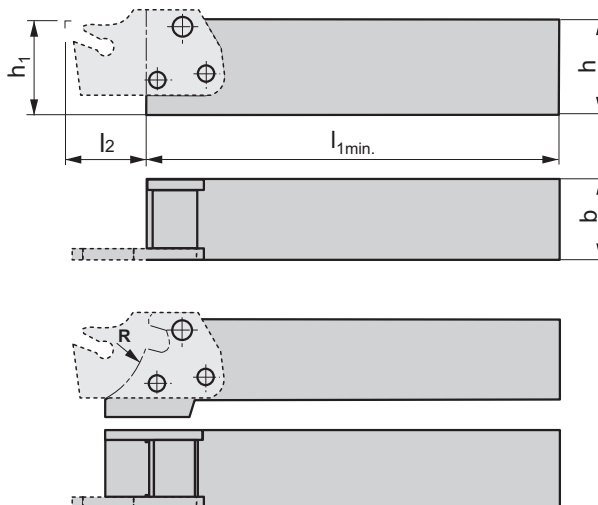
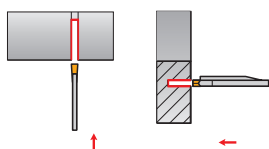


# MS-EN



ISO	$h=h_1$	b	$l_{1min}$	$l_2$	R	kg		
MS-EN-1212 F	12	12	75	15 (20)	-	0,09	GI006	ND4
MS-EN-1616 H	16	16	90	15 (20)	-	0,19	GI006	ND4
MS-EN-2020 K	20	20	115	15 (25)	-	0,44	GI003	ND5
MS-EN-2020 KS	20	20	115	15 (25)	25	0,48	GI060	ND5
MS-EN-2525 M	25	25	150	15 (25)	-	0,68	GI003	ND5
MS-EN-2525 MS	25	25	150	15 (25)	25	0,72	GI060	ND5
MS-EN-3225 P	32	25	160	15 (25)	-	1,05	GI003	ND5
MS-EN-3225 PS	32	25	160	15 (25)	25	1,10	GI060	ND5

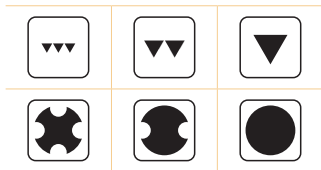
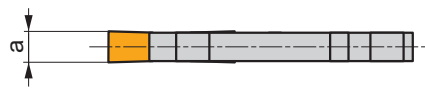
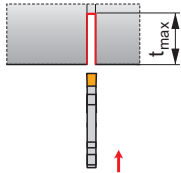
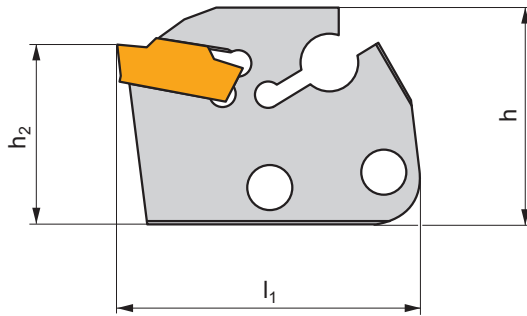
GI003	XLC.. 25..15...		XLXFL 25...
GI006	XLCF. 16..15...		XLCF. 16..20...
GI060	XLC.. 25..15...		XLC.. 25..25...

ND4	3x US 4011-T15P	3,5	M4	10,7	-	-	-	-	FLAG T15P
ND5	2x US 45013-T20P	5,0	M5	13	US 46017-T20P	5,0	M6	17	FLAG T15P

**XLCCN 25 BS**

**P M K N S H**

**G**



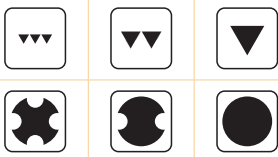
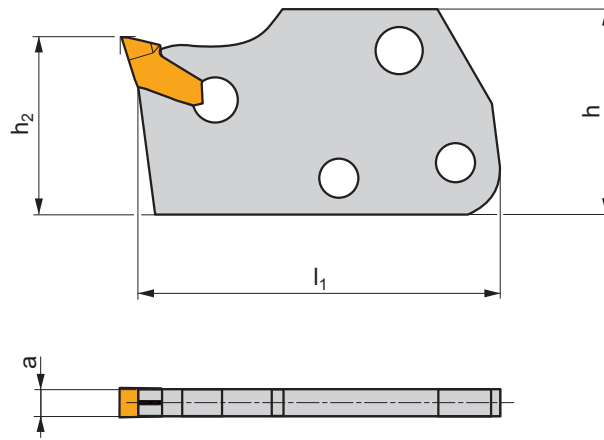
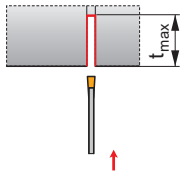
ISO	h	h <sub>2</sub>	l <sub>1</sub>	a	t <sub>max</sub>	kg		
XLCCN 250215-0316	29	24	40	3	15	0,01	G136	-
XLCCN 250225-0316	29	24	50	3	25	0,02	G136	-
XLCCN 250315-0416	29	24	40	4	15	0,02	G137	-
XLCCN 250325-0416	29	24	50	4	25	0,03	G137	-
XLCCN 250425-0516	29	24	50	5	25	0,03	G138	-
XLCCN 250525-0616	29	24	50	6	25	0,04	G139	-

G136	LCM. 0316..
G137	LCM. 0416..
G138	LCM. 0516..
G139	LCM. 0616..

# XLCF(NRL) BS

P M K N S H

X



ISO	h	h <sub>2</sub>	l <sub>1</sub>	a	t <sub>max</sub>	kg		
XLCFR/L 160115-1.60	25	12	35	1,5 (1,6)	15	0,01	GI132	KV
XLCFR/L 160115-2.00	25	12	35	2,0 (2,2)	15	0,01	GI061	KV
XLCFN 160215-3.00	25	12	35	3,1	15	0,01	GI001	KV
XLCFN 160220-3.00	25	12	40	3,1	20	0,02	GI001	KV
XLCFR/L 250115-1.60	29	24	40	1,5 (1,6)	15	0,01	GI132	KV
XLCFR/L 250115-2.00	29	24	40	2,0 (2,2)	15	0,02	GI061	KV
XLCFN 250215-3.00	29	24	40	3,1	15	0,02	GI001	KV
XLCFN 250225-3.00	29	24	50	3,1	25	0,02	GI001	KV
XLCFN 250315-4.00	29	24	40	4,1	15	0,02	GI002	KV
XLCFN 250325-4.00	29	24	50	4,1	25	0,03	GI002	KV
XLCFN 250425-5.00	29	24	50	5,1	25	0,04	GI004	KV
XLCFN 250525-6.35	29	24	50	6,35	25	0,04	GI005	KV

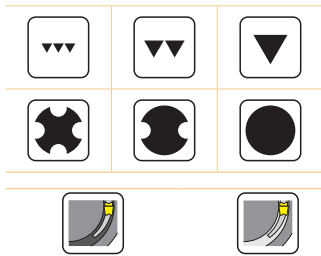
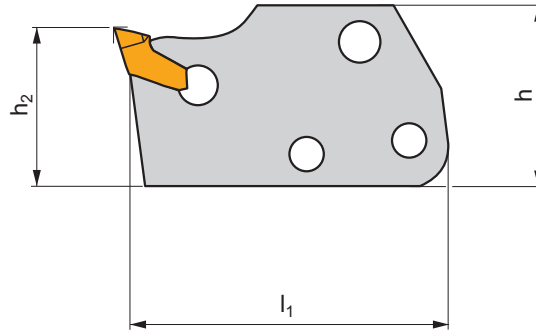
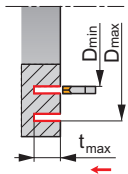
GI001	LFMX 3.1-	-
GI002	LFMX 4.1-	-
GI004	LFMX 5.1-	-
GI005	LFMX 6.35-	-
GI061	LFMX 2.0-	LFMX 2.2-
GI132	LFMX 1.5-	LFMX 1.6-

KV	KV 5x70



**XLXFL BS AXIAL**

**P M K N S H**



**X**



ISO	h	h <sub>2</sub>	l <sub>1</sub>	a	t <sub>max</sub>	D <sub>min</sub>	D <sub>max</sub>	kg	GI001	KV
XLXFL 250220-3.00-60	29	24	46	3,1	20	60	85	0,03	GI001	KV
XLXFL 250220-3.00-80	29	24	46	3,1	20	80	105	0,02	GI001	KV
XLXFL 250220-3.00-100	29	24	46	3,1	20	100	155	0,02	GI001	KV
XLXFL 250220-3.00-150	29	24	46	3,1	20	150	280	0,02	GI001	KV

GI001 LFMX 3.1-

KV KV 5x70