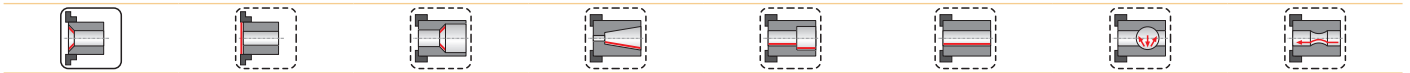
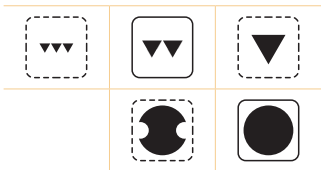
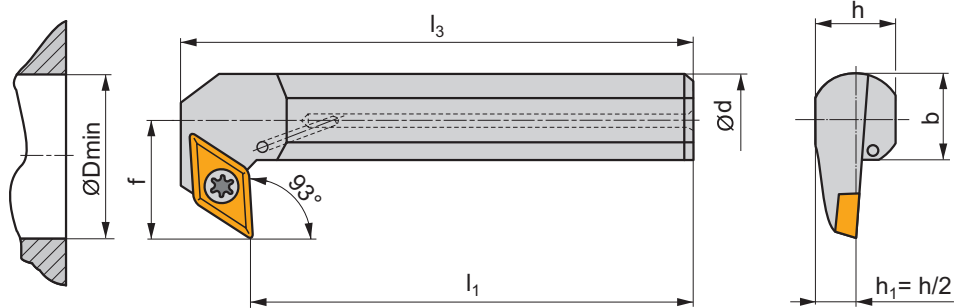
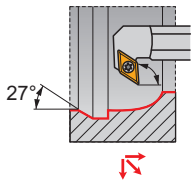


SDZC(RL) INT

P M K N S H

S



ISO	d	D _{min}	f	h	b	l ₁	l ₃	λ°	γ°	kg	GI012	GI052	SD10	SO1	SO8
S16M-SDZCR/L 07-93	16	27	17	14,5	15	150	163,0	-4	0	0,26	GI052	SO1			
S20Q-SDZCR/L 11-93	20	35	22	18	18,5	180	198,0	-5	0	0,48	GI012	SO8			
S25R-SDZCR/L 11-93	25	42	27	23	23	200	218,0	-3	0	0,80	GI012	SO8			
S32S-SDZCR/L 11-93-A	32	53	35	30	30	250	268,0	-6	0	1,60	GI012	SD10			
S40T-SDZCR/L 11-93-A	40	65	43	38	38	300	322,0	-5	0	3,00	GI012	SD10			

GI012	GI052	DC.. 11T3..	DC.. 0702..

SD10	SO1	SO8	US 3510-T15P	US 2506-T07P	US 3510-T15P	Nm	M3,5	M2,5	M3,5	10,6	6,5	10,6	SDN 110304	-	-	MS 3510	FLAG T15P	FLAG T07P	FLAG T15P	HXK 3,5	-	-	