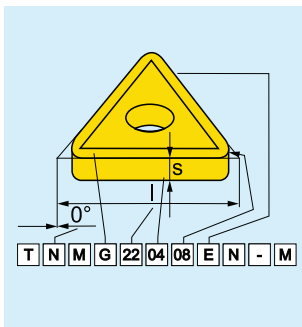


ISO - SYSTÉM ZNAČENÍ VYMĚNITELNÝCH BŘÍTOVÝCH DESTIČEK
ISO - SYSTÉM ZNAČENIA VYMENITEĽNÝCH REZNÝCH DOŠŤIČEK

| 1 | | | | 2 | | 4 | |
|-------------------------------|---|---|---|---------------------------|------------------------|------------------------|------------------------|
| Tvar destičky / Tvar doštičky | | | | Úhel hřbetu / Uhol chrbta | | Provedení / Prevedenie | |
| | | | | | | | |
| H | O | P | R | A | B | N | R |
| | | | | | | | |
| S | T | C | D | C | D | F | A |
| | | | | | | | |
| E | M | V | W | E | F | M | G |
| | | | | | | | |
| L | A | B | K | G | N | W | T |
| | | | | | Speciální Špeciálny | | Speciální Špeciálne |
| | | | | P | O | Q | X |

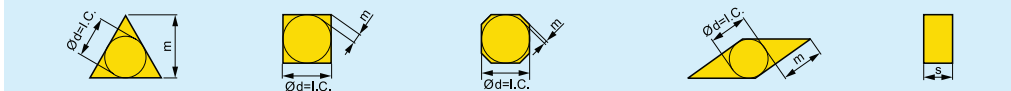


ISO kód

ANSI kód

| | 1 | 2 | 3 | 4 |
|---------------|---|---|---|---|
| ISO P / ISO P | T | N | U | N |
| ISO S / ISO S | T | N | M | G |
| | T | N | U | N |
| | T | N | M | G |

| 3 | | | | | | |
|------------------------|-----------------------------|-------|--------------|--------------------------------|-------|---------------|
| Tolerance / Tolerancia | | | | | | |
| Označení / Označenie | Tolerance / Tolerancia [mm] | | | Tolerance / Tolerancia [Palce] | | |
| | m (±) | s (±) | d = I.C. (±) | m (±) | s (±) | d = I.C. (±) |
| A | 0,005 | 0,025 | 0,025 | 0,0002 | 0,001 | 0,0010 |
| F | 0,005 | 0,025 | 0,013 | 0,0002 | 0,001 | 0,0005 |
| C | 0,013 | 0,025 | 0,025 | 0,0005 | 0,001 | 0,0010 |
| H | 0,013 | 0,025 | 0,013 | 0,0005 | 0,001 | 0,0005 |
| E | 0,025 | 0,025 | 0,025 | 0,0010 | 0,001 | 0,0010 |
| G | 0,025 | 0,130 | 0,025 | 0,0010 | 0,005 | 0,0010 |
| J | 0,005 | 0,025 | 0,05 + 0,13 | 0,0002 | 0,001 | 0,002 + 0,005 |
| K | 0,013 | 0,025 | 0,05 + 0,13 | 0,0005 | 0,001 | 0,002 + 0,005 |
| L | 0,025 | 0,025 | 0,05 + 0,13 | 0,0010 | 0,001 | 0,002 + 0,005 |
| M | 0,08 + 0,18 | 0,130 | 0,05 + 0,13 | 0,003 + 0,007 | 0,005 | 0,002 + 0,005 |
| N | 0,08 + 0,18 | 0,025 | 0,05 + 0,13 | 0,003 + 0,007 | 0,001 | 0,002 + 0,005 |
| U | 0,05 + 0,38 | 0,130 | 0,08 + 0,25 | 0,005 + 0,015 | 0,005 | 0,003 + 0,010 |



ISO - SYSTÉM ZNAČENÍ VYMĚNITELNÝCH BŘÍTOVÝCH DESTIČEK
ISO - SYSTÉM ZNAČENIA VYMNITELNÝCH REZŇÝCH DOŠŤIČEK

| d=I.C. | | Délka řezné hrany / Dĺžka reznej hrany | | | | | | |
|--------|--------|--|----|----|----|----|----|----|
| mm | Palce | R | S | T | C | D | V | W |
| 3,97 | 5/32" | | | 06 | | | | |
| 5,00 | | 05 | | | | | | |
| 5,56 | 7/32" | | | 09 | | | | 03 |
| 6,00 | | 06 | | | | | | |
| 6,35 | 1/4" | | | 11 | 06 | 07 | | 04 |
| 8,00 | | 08 | | | | | | |
| 9,525 | 3/8" | 09 | 09 | 16 | 09 | 11 | 16 | 06 |
| 10,0 | | 10 | | | | | | |
| 12,0 | | 12 | | | | | | |
| 12,7 | 1/2" | 12 | 12 | 22 | 12 | 15 | | 08 |
| 15,875 | 5/8" | 15 | 15 | 27 | 16 | | | |
| 16,0 | | 16 | | | | | | |
| 19,05 | 3/4" | 19 | 19 | 33 | 19 | | | |
| 20,0 | | 20 | | | | | | |
| 25,0 | | 25 | | | | | | |
| 25,4 | 1" | 25 | 25 | | 25 | | | |
| 31,75 | 1 1/4" | 31 | | | | | | |
| 32,0 | | 32 | | | | | | |
| 38,1 | 1 1/2" | 38 | | | | | | |

| Tloušťka / Hrubka | | |
|-------------------|------|-------|
| | | |
| | | |
| Označ. | mm | Palce |
| 01 | 1,59 | 1/16" |
| T1 | 1,98 | |
| 02 | 2,38 | 3/32" |
| 03 | 3,18 | 1/8" |
| T3 | 3,97 | 5/32" |
| 04 | 4,76 | 3/16" |
| 05 | 5,56 | |
| 06 | 6,35 | 1/4" |
| 07 | 7,94 | 5/16" |
| 09 | 9,52 | 3/8" |

| Rádus špičky / Rádus špičky | | |
|-----------------------------|----------------|-------|
| Označ. | r _E | |
| | mm | Palce |
| 00 | 0 | 0" |
| 02 | 0,2 | |
| 04 | 0,4 | 1/64" |
| 08 | 0,8 | 1/32" |
| 12 | 1,2 | 3/64" |
| 16 | 1,6 | 1/16" |
| 24 | 2,4 | 3/32" |
| 32 | 3,2 | 1/8" |

| Kruhové destičky / Kruhové doštičky | | |
|-------------------------------------|--------|--|
| d=I.C. | Označ. | |
| Palce | 00 | |
| mm | M0 | |

| |
|----|
| 5 |
| 22 |
| 22 |

| |
|----|
| 6 |
| 04 |
| 04 |

| |
|----|
| 7 |
| 08 |
| 08 |

| |
|---|
| 8 |
| E |

| |
|---|
| 9 |
| N |

| |
|----|
| 10 |
| - |
| M |

| |
|----|
| 5A |
| 4 |
| 4 |

| |
|----|
| 6A |
| 3 |
| 3 |

| |
|----|
| 7A |
| 2 |
| 2 |

| |
|---|
| 8 |
| E |

| |
|---|
| 9 |
| N |

| |
|----|
| 10 |
| - |
| M |

ANSI kód

| Vepsaná kružnice Vpísaná kružnica | | |
|--------------------------------------|----------|--------|
| | | |
| Označ. | d = I.C. | |
| | mm | Palce |
| 1 | 3,175 | 1/8" |
| (1.2) | 3,969 | 5/32" |
| (1.5) | 4,763 | 3/16" |
| (1.8) | 5,556 | 7/32" |
| 2 | 6,350 | 1/4" |
| (2.5) | 7,938 | 5/16" |
| 3 | 9,525 | 3/8" |
| 4 | 12,700 | 1/2" |
| 5 | 15,875 | 5/8" |
| 6 | 19,050 | 3/4" |
| 7 | 22,225 | 7/8" |
| 8 | 25,400 | 1" |
| 10 | 31,750 | 1-1/4" |

| Tloušťka Hrubka | | |
|--------------------|--------|-------|
| | | |
| Označ. | s | |
| | mm | Palce |
| 1 | 1,588 | 1/16" |
| (1.2) | 1,984 | 5/64" |
| (1.5) | 2,381 | 3/32" |
| 2 | 3,175 | 1/8" |
| (2.5) | 3,969 | 5/32" |
| 3 | 4,763 | 3/16" |
| (3.5) | 5,556 | 7/32" |
| 4 | 6,350 | 1/4" |
| 5 | 7,938 | 5/16" |
| 6 | 9,525 | 3/8" |
| 7 | 11,113 | 7/16" |
| 8 | 12,700 | 1/2" |
| 9 | 14,288 | 9/16" |
| 10 | 15,875 | 5/8" |

| Rádus špičky Rádus špičky | | |
|------------------------------|----------------|--------|
| | | |
| Označ. | r _E | |
| | mm | Palce |
| 0 | 0,050 | 1/512" |
| (0.2) | 0,099 | 1/256" |
| (0.5) | 0,198 | 1/128" |
| 1 | 0,397 | 1/64" |
| 2 | 0,794 | 1/32" |
| 3 | 1,191 | 3/64" |
| 4 | 1,588 | 1/16" |
| 5 | 1,984 | 5/64" |
| 6 | 2,381 | 3/32" |
| 7 | 2,778 | 7/64" |
| 8 | 3,175 | 1/8" |
| 10 | 3,969 | 5/32" |
| 12 | 4,763 | 3/16" |
| 14 | 5,556 | 7/32" |
| 16 | 6,350 | 1/4" |
| x | ostatní | |

| 8 Provedení řezné hrany / Prevedenie reznej hrany | | | |
|--|--|--|--|
| | Ostré hrany Ostré hrany | | Zaoblené hrany Zaoblené hrany |
| | Hrany s fazetkou Hrany s fazetkou | | Zaoblené hrany s fazetkou Zaoblené hrany s fazetkou |
| | Hrany s dvojitou fazetkou Hrany s dvojitou fazetkou | | Zaoblené hrany s dvojitou fazetkou Zaoblené hrany s dvojitou fazetkou |

| 9 Směr posuvu / Smer posuvu | |
|--------------------------------|--|
| | |
| | |

| | |
|----|-------------------|
| 10 | Utvařeč / Utvárač |
|----|-------------------|

ISO C
ISO C
ISO D
ISO D
ISO M
ISO M
ISO P
ISO P
ISO S
ISO S
ZÁPICHY
ZÁPICHY
ZÁVITY
ZÁVITY
VBD
VRD