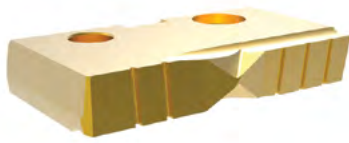
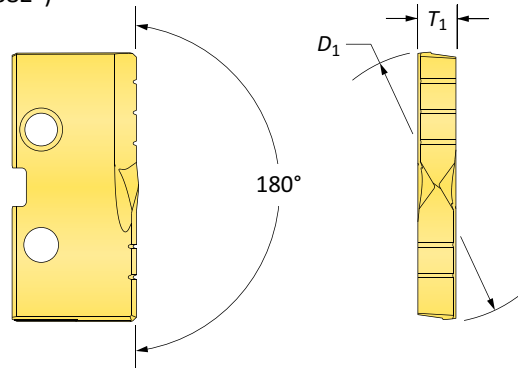


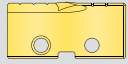
**T-A® Original Drill Inserts**

3 Series | HSS | Diameter Range: 34.36mm - 47.80mm (1.353" - 1.882")

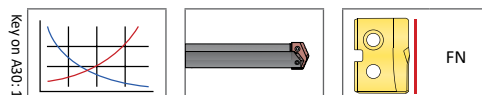


Flat Bottom / Rovné dno


**HSS Inserts – Super Cobalt**

Insert			Part No.
$D_1$ mm	$D_1$ inch	Fractional Equivalent	
35.72	1.4063	1-13/32	 TiN
36.00	1.4173	-	
36.51	1.4375	1-7/16	
37.00	1.4567	-	
37.31	1.4688	1-15/32	
38.00	1.4961	-	
38.10	1.5000	1-1/2	
38.89	1.5313	1-17/32	
39.00	1.5354	-	
39.29	1.5470	-	
39.69	1.5625	1-9/16	
40.00	1.5748	-	
40.48	1.5938	1-19/32	
41.00	1.6142	-	
41.28	1.6250	1-5/8	
42.00	1.6535	-	
42.07	1.6563	1-21/32	
42.86	1.6875	1-11/16	
43.00	1.6929	-	
43.66	1.7188	1-23/32	
44.00	1.7323	-	
44.45	1.7500	1-3/4	
45.00	1.7717	-	
45.24	1.7813	1-25/32	
45.50	1.7913	-	
45.64	1.7970	-	
46.00	1.8110	-	
46.04	1.8125	1-13/16	
46.83	1.8438	1-27/32	
47.00	1.8504	-	
47.63	1.8750	1-7/8	

- Ideální pro zploštění nebo vyrovnání dna již existujícího otvoru s vysokou tuhostí
- Obsahuje malý 10° bod na středu destičky.



Coatings not listed above can be supplied as non-stocked standards.



Inserts sold in quantities of 1	
TiN = 131T-XXXX	