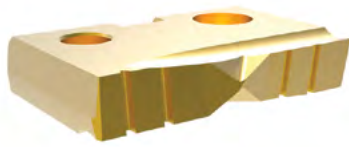
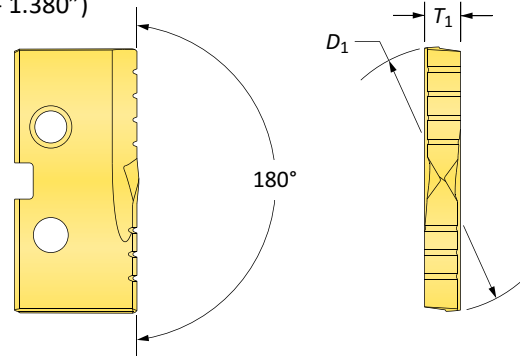


T-A® Original Drill Inserts

2 Series | Carbide | Diameter Range: 24.41mm - 35.05mm (0.961" - 1.380")



Flat Bottom



Carbide Inserts – K20 (C2)

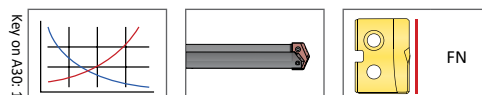
Series	Insert			Flat Bottom Part No.
	D_1 mm	D_1 inch	Fractional Equivalent	
2	24.50	0.9646	–	4.76
	24.61	0.9688	31/32	
	24.79	0.9760	–	
	25.00	0.9843	63/64	
	25.40	1.0000	1	
	25.50	1.0039	–	
	25.80	1.0156	1-1/64	
	26.00	1.0236	–	
	26.19	1.0313	1-1/32	
	26.50	1.0433	–	
	26.59	1.0469	1-3/64	
	26.99	1.0625	1-1/16	
	27.00	1.0630	–	
	27.50	1.0827	–	
	27.78	1.0938	1-3/32	
	28.00	1.1024	–	
	28.18	1.1094	1-7/64	
	28.50	1.1220	–	
	28.58	1.1250	1-1/8	
	29.00	1.1417	–	
29.37	1.1563	1-5/32		
29.50	1.1614	–		
30.00	1.1811	–		
2.5	30.16	1.1875	1-3/16	4.76
	30.50	1.2008	–	
	30.96	1.2188	1-7/32	
	31.00	1.2205	–	
	31.14	1.2260	–	
	31.26	1.2310	–	
	31.34	1.2340	–	
	31.50	1.2402	–	
	31.75	1.2500	1-1/4	
	32.00	1.2598	–	
	32.50	1.2795	–	
	32.54	1.2813	1-9/32	
	33.00	1.2992	–	
	33.34	1.3125	1-5/16	
	33.50	1.3189	–	
	34.00	1.3386	–	
	34.13	1.3438	1-11/32	
	34.50	1.3582	–	
	34.93	1.3750	1-3/8	
	35.00	1.3780	–	

NOTE: 2.5 series inserts fit into both 2 and 2.5 series holders. However, 2 series inserts ONLY fit into 2 series holders. See page A30: 7 for visual.

Destičky série 2,5 se vejdou do držáků série 2 i 2,5.

Destičky série 2 se vkládají pouze do držáků série 2.

Inserts sold in quantities of 2



Coatings not listed above can be supplied as non-stocked standards.



TiN = 131T-XXXX	