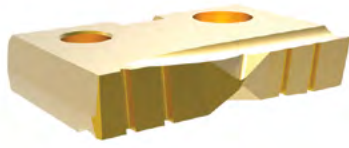
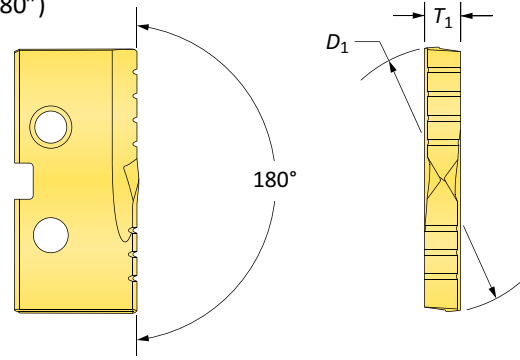


## T-A® Original Drill Inserts

2 Series | HSS | Diameter Range: 24.41mm - 35.05mm (0.961" - 1.380")



Flat Bottom



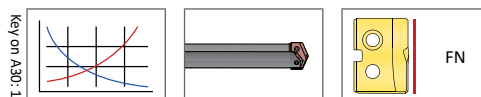
### HSS Inserts – Super Cobalt

Series	Insert			T <sub>1</sub> mm	Flat Bottom Part No.
	D <sub>1</sub> mm	D <sub>1</sub> inch	Fractional Equivalent		TiN
2	24.50	0.9646	–	4.76	152T-24.5-FB
	24.61	0.9688	31/32		152T-0031-FB
	24.79	0.9760	–		152T-.976-FB
	25.00	0.9843	63/64		152T-25-FB
	25.40	1.0000	1		152T-0100-FB
	25.50	1.0039	–		152T-25.5-FB
	25.80	1.0156	1-1/64		152T-1.015-FB
	26.00	1.0236	–		152T-26-FB
	26.19	1.0313	1-1/32		152T-0101-FB
	26.50	1.0433	–		152T-26.5-FB
	26.59	1.0469	1-3/64		152T-1.046-FB
	26.99	1.0625	1-1/16		152T-0102-FB
	27.00	1.0630	–		152T-27-FB
	27.50	1.0827	–		152T-27.5-FB
	27.78	1.0938	1-3/32		152T-0103-FB
	28.00	1.1024	–		152T-28-FB
	28.18	1.1094	1-7/64		152T-1.109-FB
	28.50	1.1220	–		152T-28.5-FB
	28.58	1.1250	1-1/8		152T-0104-FB
	29.00	1.1417	–		152T-29-FB
29.37	1.1563	1-5/32	152T-0105-FB		
29.50	1.1614	–	152T-29.5-FB		
30.00	1.1811	–	152T-30-FB		
2.5	30.16	1.1875	1-3/16	4.76	152T-0106-FB
	30.50	1.2008	–		152T-30.5-FB
	30.96	1.2188	1-7/32		152T-0107-FB
	31.00	1.2205	–		152T-31-FB
	31.14	1.2260	–		152T-1.226-FB
	31.26	1.2310	–		152T-1.231-FB
	31.34	1.2340	–		152T-1.234-FB
	31.50	1.2402	–		152T-31.5-FB
	31.75	1.2500	1-1/4		152T-0108-FB
	32.00	1.2598	–		152T-32-FB
	32.50	1.2795	–		152T-32.5-FB
	32.54	1.2813	1-9/32		152T-0109-FB
	33.00	1.2992	–		152T-33-FB
	33.34	1.3125	1-5/16		152T-0110-FB
	33.50	1.3189	–		152T-33.5-FB
	34.00	1.3386	–		152T-34-FB
	34.13	1.3438	1-11/32		152T-0111-FB
	34.50	1.3582	–		152T-34.5-FB
	34.93	1.3750	1-3/8		152T-0112-FB
	35.00	1.3780	–		152T-35-FB

**NOTE:** 2.5 series inserts fit into both 2 and 2.5 series holders. However, 2 series inserts ONLY fit into 2 series holders. See page A30: 7 for visual.

Destičky série 2,5 se vejdou do držáků série 2 i 2,5. Destičky série 2 se vkládají pouze do držáků série 2.

Inserts sold in quantities of 2



Coatings not listed above can be supplied as non-stocked standards.



TiN = 131T-XXXX	