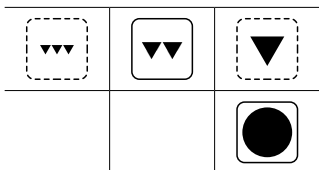
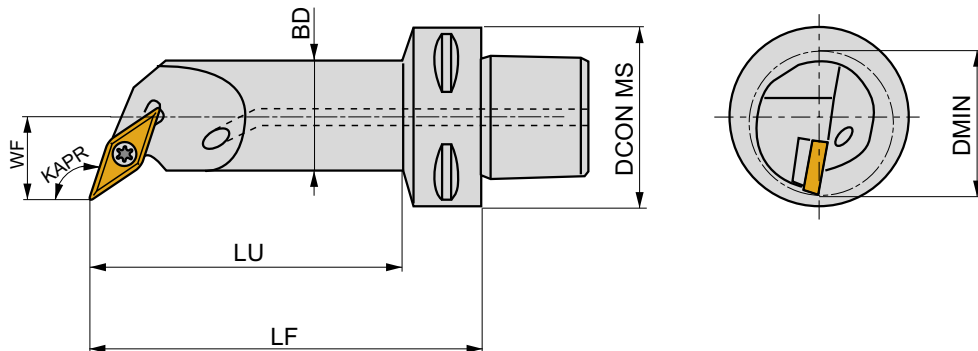
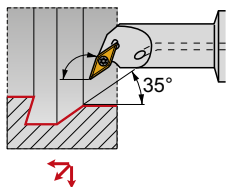


# C-SVQB(RL) INT

P M K N S H

S

PRAMET



	DCON MS	DMIN	WF	LF	LU	BD	KAPR	LAMS	GAMO				
	[mm]	[mm]	[mm]	[mm]	[mm]	[mm]	[°]	[°]	[°]		kg		
<b>C4-SVQBR/L-18090-16</b>	40	33	18	90	68	25	108	-7,2	0	✓	0,50	GI017	SV16
<b>C5-SVQBR/L-18090-16</b>	50	33	18	90	67	25	108	-7,2	0	✓	0,68	GI017	SV16

GI017	VB.. 1604..						VC.. 1604..						

SV16	US 2010-T15P	3,0	M3,5	10,1	FLAGT15P/3,5