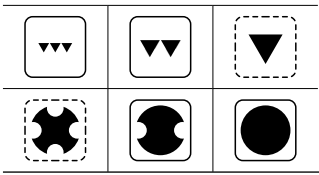
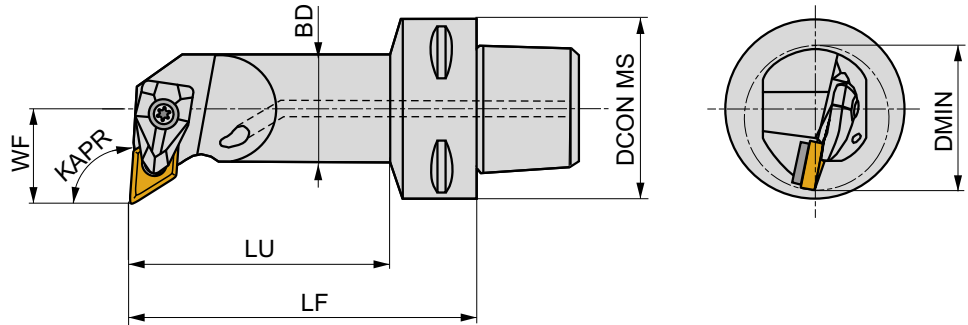
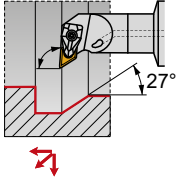


C-DDUN(RL) INT

P M K N S H

D

PRAMET



	DCON MS	DIMN	WF	LF	LU	BD	KAPR	LAMS	GAMO				
	[mm]	[mm]	[mm]	[mm]	[mm]	[mm]	[°]	[°]	[°]				
C4-DDUNR/L-17090-11	40	32	17	90	68	25	93	-12	-6	✓	0,51	GI046	DD11

	GI046		DN.. 1104..
--	-------	--	-------------

DD11	DCS 09	1,7	DDS 267-01	US 2004-T09P	FLAG T09P