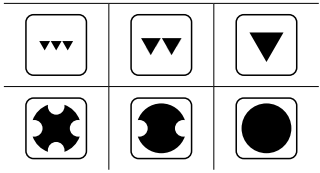
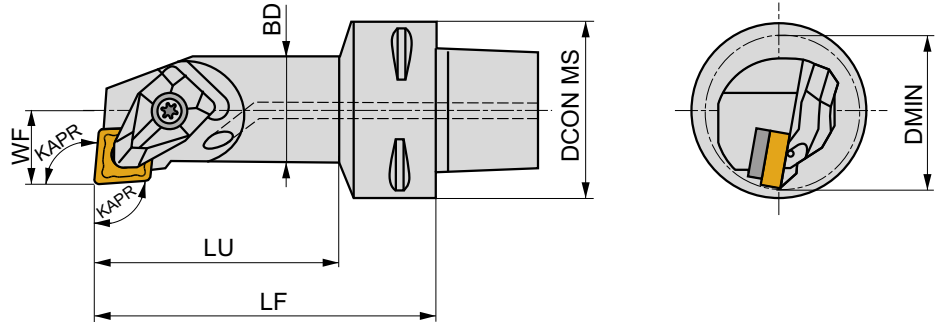
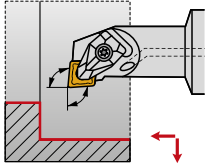


C.-DCLN(RL) INT

P M K N S H

D

PRAMET



	DCON MS	DIMN	WF	LF	LU	BD	KAPR	LAMS	GAMO				
	[mm]	[mm]	[mm]	[mm]	[mm]	[mm]	[°]	[°]	[°]				
C4-DCLNR-13080-09	40	25	13	80	57	20	95	-14	-6	✓	0,43	G133	DC09
C4-DCLNR/L-17090-12	40	32	17	90	68	25	95	-12	-6	✓	0,53	G1043	DCI12
C5-DCLNR/L-17090-12	50	32	17	90	66	25	95	-12	-6	✓	0,73	G1043	DCI12
C6-DCLNR-17100-12	63	32	17	100	72	25	95	-12	-6	✓	1,14	G1043	DCI12
C6-DCLNR-27140-16	63	50	27	140	114	40	95	-16	-6	✓	1,80	G1050	DC16

G133			CN.. 0903..
G1043			CN.. 1204..
G1050			CN.. 1606..

DC09	DCS 09	1,7	DCS 236-04	US 2004-T09P	FLAG T09P	-
DCI12	DCS 12	3,9	DCS 234-01	US 2002-T15P	FLAG T15P/3,5	-
DC16	DCS 16	6,4	DCS 234-03	US 2007-T20P	-	LKT20P