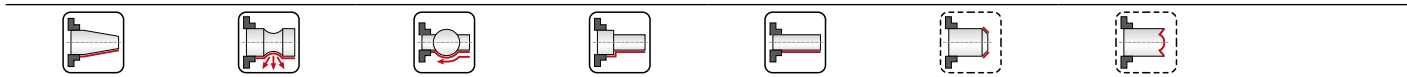
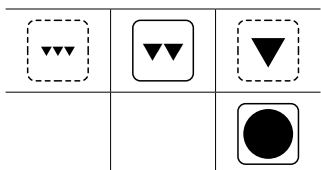
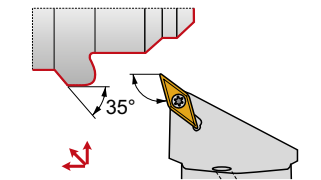
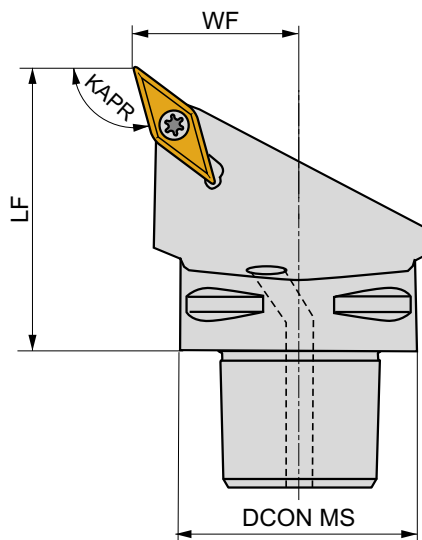


C.-SVHB(RL) EXT

P M K N S H

S

PRAMET



	DCON MS	WF	LF	KAPR	LAMS	GAMO				
	[mm]	[mm]	[mm]	[°]	[°]	[°]				
C4-SVHBR/L-27050-16	40	27	50	107,5	0	0	✓	0,39	GI017	C-SV16S-1
C5-SVHBR/L-35060-16	50	35	60	107,5	0	0	✓	0,70	GI017	C-SV16S-2
C6-SVHBR/L-45065-16	63	45	65	107,5	0	0	✓	1,12	GI017	C-SV16S-2

GI017		VB.. 1604..		VC.. 1604..

C-SV16S-1	US 2001-T15P	3,0	M3,5	12,1	SVS 270-01	MS 9001	FLAG T15P/3,5	CN 034-01
C-SV16S-2	US 2001-T15P	3,0	M3,5	12,1	SVS 270-01	MS 9001	FLAG T15P/3,5	CN 034-02