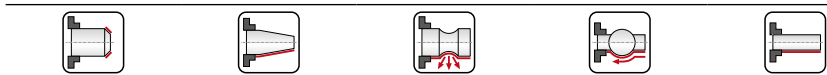
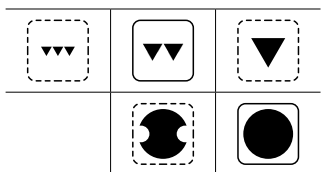
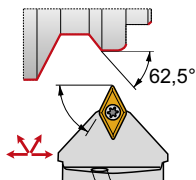
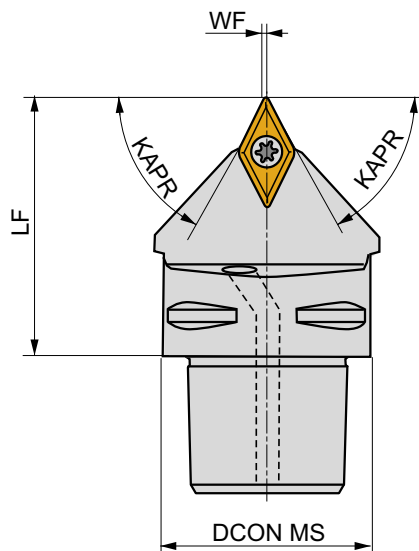


# C.-SDNCN EXT

P M K N S H

S

PRAMET



	DCON MS	WF	LF	KAPR	LAMS	GAMO				
	[mm]	[mm]	[mm]	[°]	[°]	[°]				
<b>C4-SDNCN-00050-11</b>	40	0,5	50	62,5	0	0	✓	0,38	GI012	C-SD11V-1
<b>C5-SDNCN-00060-11</b>	50	0,5	60	62,5	0	0	✓	0,66	GI012	C-SD11V-2

GI012	DC. 11T3..

C-SD11V-1	US 2001-T15P	3,0	M3,5	12,1	SDS 263-01	MS 9001	FLAG T15P/3,5		CN 034-01
C-SD11V-2	US 2001-T15P	3,0	M3,5	12,1	SDS 263-01	MS 9001	FLAG T15P/3,5		CN 034-02