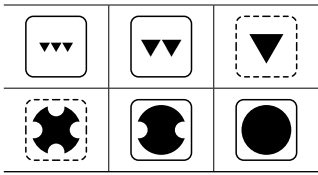
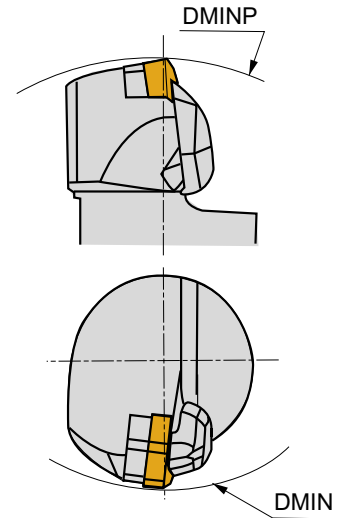
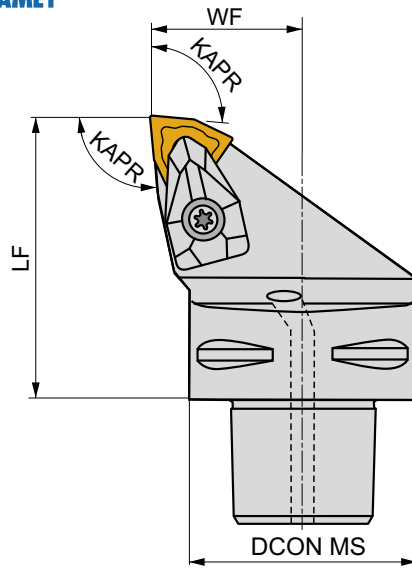
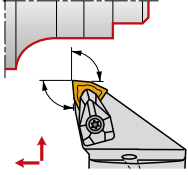


C.-DWLN(RL) EXT

P M K N S H

D

PRAMET



	DCON MS	DMIN	DMINP	WF	LF	KAPR	LAMS	GAMO					
	[mm]	[mm]	[mm]	[mm]	[mm]	[°]	[°]	[°]					
C4-DWLN(RL)-27050-06	40	60	140	27	50	95	-6	-6	✓	0,43	GI028	C-DW06	-
C4-DWLN(RL)-27050-08	40	110	140	27	50	95	-6	-6	✓	0,43	GI072	C-DW08-1	AT004
C5-DWLN(RL)-35060-08	50	110	165	35	60	95	-6	-6	✓	0,74	GI072	C-DW08-2	AT004
C6-DWLN(RL)-45065-08	63	110	190	45	65	95	-6	-6	✓	1,34	GI072	C-DW08-2	AT004

GI028	WN.. 0604..
GI072	WN.. 0804..

C-DW06	DCS 09	1,7	DWS 328-01	US 2004-T09P	FLAG T09P	CN 034-01
C-DW08-1	DCS 12	3,9	DWS 331-12	US 2002-T15P	FLAG T15P/3,5	CN 034-01
C-DW08-2	DCS 12	3,9	DWS 331-12	US 2002-T15P	FLAG T15P/3,5	CN 045-01

AT004	CER WN.N 0804..	DCS 12C4
AT004	CER WN.A 0804..	DCS 12C2