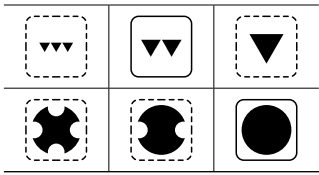
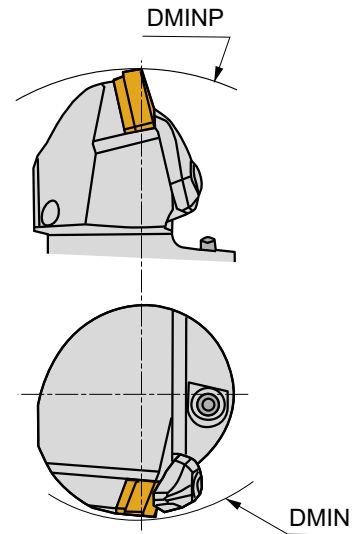
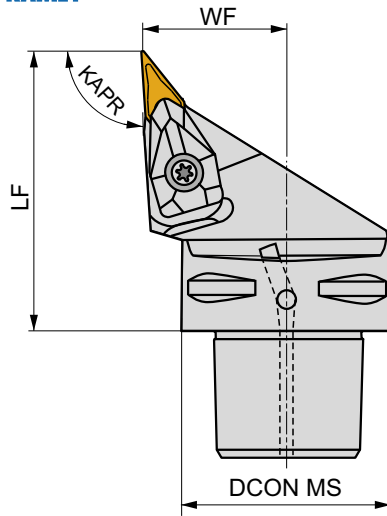
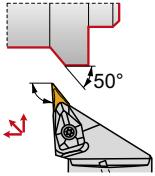


C.-DVJN(RL) EXT

P M K N S H

D

PRAMET



	DCON MS	DMIN	DMINP	WF	LF	KAPR	LAMS	GAMO				
	[mm]	[mm]	[mm]	[mm]	[mm]	[°]	[°]	[°]		kg		
C4-DVJNR/L-27062-16	40	60	152	27	62	93	-13	-4	✓	0,45	GI048	C-DV16-1
C5-DVJNR/L-35065-16	50	65	170	35	65	93	-13	-4	✓	0,72	GI048	C-DV16-2
C6-DVJNR/L-45065-16	63	81	190	45	65	93	-13	-4	✓	1,13	GI048	C-DV16-2

GI048		VN.. 1604..	

C-DV16-1	DCS 16V	3 Nm	DVS 269-01	US 2009-T15P	FLAGT15P/3,5	CN 034-01
C-DV16-2	DCS 16V	3	DVS 269-01	US 2009-T15P	FLAGT15P/3,5	CN 034-02