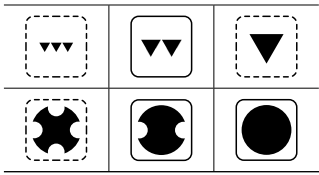
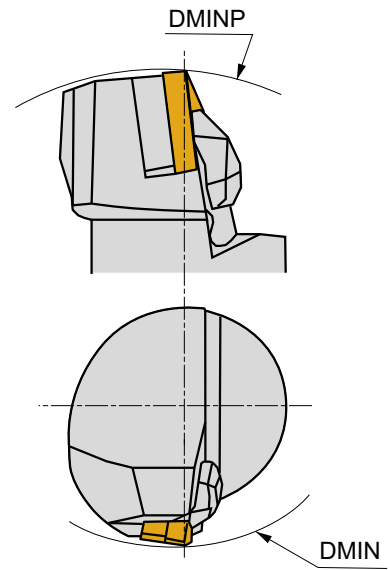
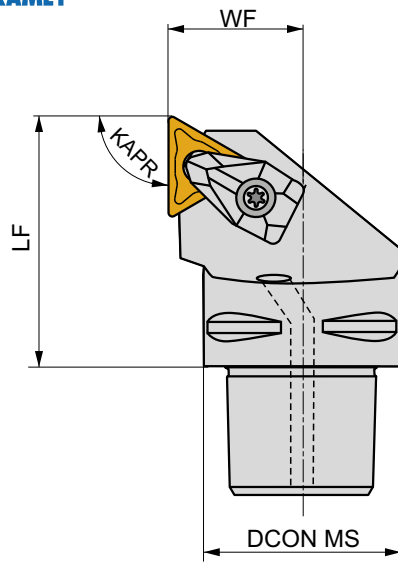
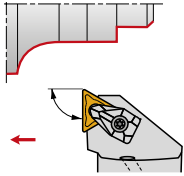


C.-DTJN(RL) EXT

P M K N S H

D

PRAMET



	DCON MS	DMIN	DMINP	WF	LF	KAPR	LAMS	GAMO				
	[mm]	[mm]	[mm]	[mm]	[mm]	[°]	[°]	[°]				
C4-DTJNR/L-27050-16	40	110	140	27	50	93	-6	-6	✓	0,43	GI024	C-DT16
C5-DTJNR/L-35060-16	50	110	165	35	60	93	-6	-6	✓	0,78	GI024	C-DT16

	GI024		TN.. 1604..
--	-------	--	-------------

C-DT16	DCS 09	1,7	US 2004-T09P	US 2004-T09P	CN 045-01