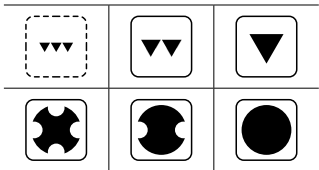
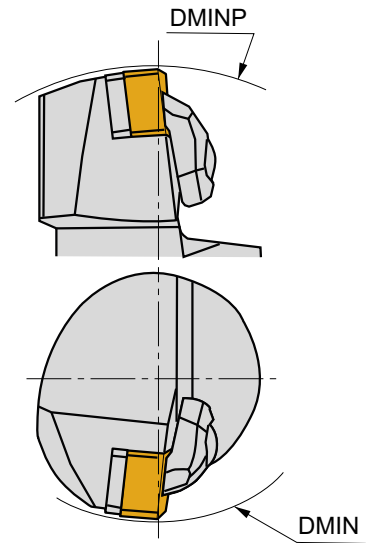
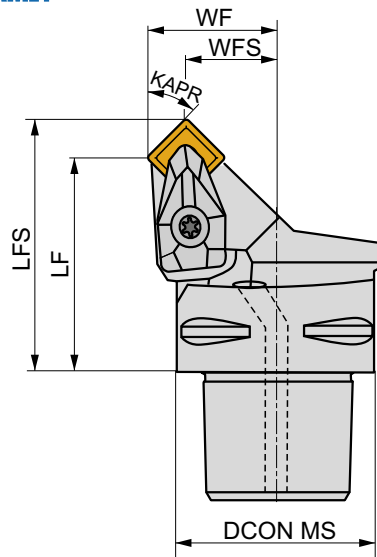
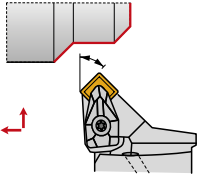


# C.-DSSN(RL) EXT

P M K N S H

D

PRAMET



	DCON MS	DMIN	DMINP	WF	WFS	LF	LFS	KAPR	LAMS	GAMO					
	[mm]	[mm]	[mm]	[mm]	[mm]	[mm]	[mm]	[°]	[°]	[°]					
<b>C4-DSSNR/L-27042-12</b>	40	110	140	27	18,7	42	50,3	45	0	-8	✓	0,36	GI029	C-DS12-1	AT003
<b>C5-DSSNR/L-35052-12</b>	50	110	165	35	26,7	52	60,3	45	0	-8	✓	0,69	GI029	C-DS12-3	AT003

GI029	SN.. 1204..

C-DS12-1	DCS 12	3,9	DSS 425-01	US 2002-T15P	FLAGT15P/3,5	CN 034-01
C-DS12-3	DCS 12	3,9	DSS 425-01	US 2002-T15P	FLAGT15P/3,5	CN 034-01

AT003	SN.. 1207..	-	DDS 425-02
AT003	CER SN.N 1204..	DCS 12C4	-
AT003	CER SN.A 1204..	DCS 12C2	-