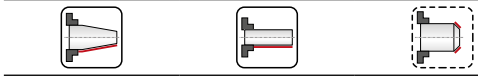
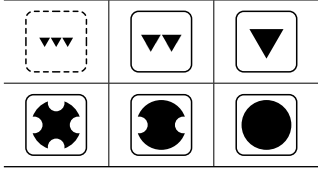
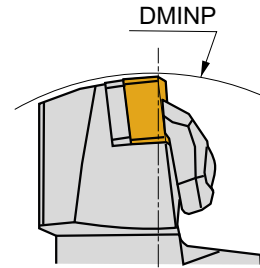
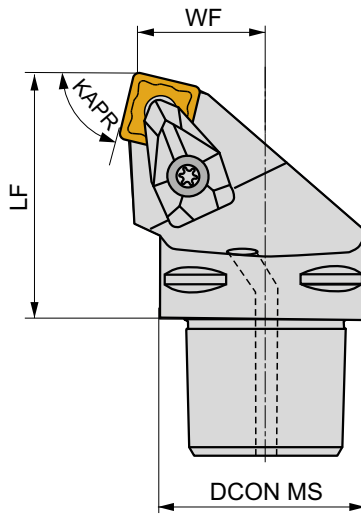
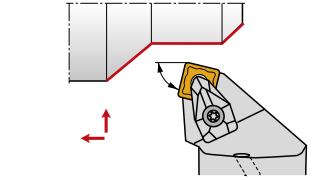


C.-DSRN(RL) EXT

P M K N S H

D

PRAMET



| | DCON MS | DMINP | WF | LF | KAPR | LAMS | GAMO | | kg | | | |
|----------------------------|---------|-------|------|------|------|------|------|---|------|-------|----------|-------|
| | [mm] | [mm] | [mm] | [mm] | [°] | [°] | [°] | | | | | |
| C4-DSRNR/L-22050-12 | 40 | 140 | 22 | 50 | 75 | -6 | -6 | ✓ | 0,40 | GI029 | C-DS12-1 | AT003 |
| C6-DSRNR/L-35065-19 | 63 | 190 | 35 | 65 | 75 | -6 | -6 | ✓ | 1,30 | GI026 | C-DS19 | - |

| GI029 | SN.. 1204.. |
|-------|-------------|
| GI026 | SN.. 1906.. |

| C-DS12-1 | DCS 12 | 3,9 | DSS 425-01 | US 2002-T15P | FLAGT15P/3,5 | - | CN 034-01 |
|----------|--------|-----|------------|--------------|--------------|--------|-----------|
| C-DS19 | DCS 19 | 6,4 | DSS 425-04 | US 2007-T20P | - | LKT20P | CN 045-01 |

| AT003 | SN.. 1207.. | - | DDS 425-02 |
|-------|-----------------|----------|------------|
| AT003 | CER SN.N 1204.. | DCS 12C4 | - |
| AT003 | CER SN.A 1204.. | DCS 12C2 | - |