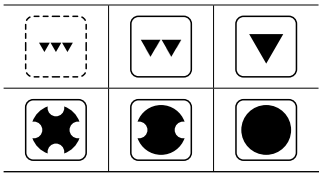
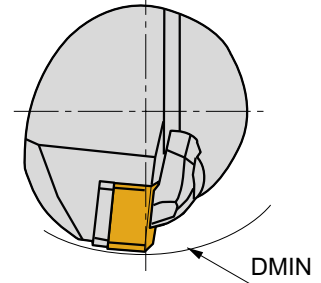
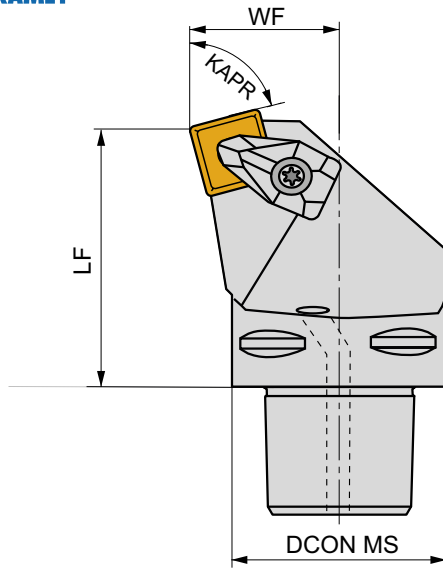
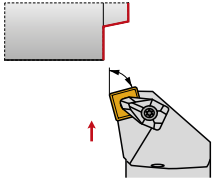


C.-DSKN(RL) EXT

P M K N S H

D

PRAMET



	DCON MS	DMIN	WF	LF	KAPR	LAMS	GAMO					
	[mm]	[mm]	[mm]	[mm]	[°]	[°]	[°]					
C4-DSKNR/L-27050-12	40	110	27	50	75	-6	-6	✓	0,47	GI029	C-DS12-1	AT003

GI029	SN.. 1204..

C-DS12-1	DCS 12	3,9	DSS 425-01	US 2002-T15P	FLAGT15P/3,5	CN 034-01

AT003	SN.. 1207..	-	DDS 425-02
AT003	CER SN.N 1204..	DCS 12C4	-
AT003	CER SN.A 1204..	DCS 12C2	-