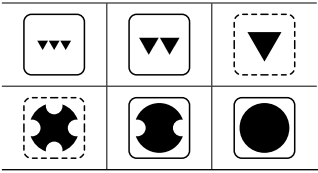
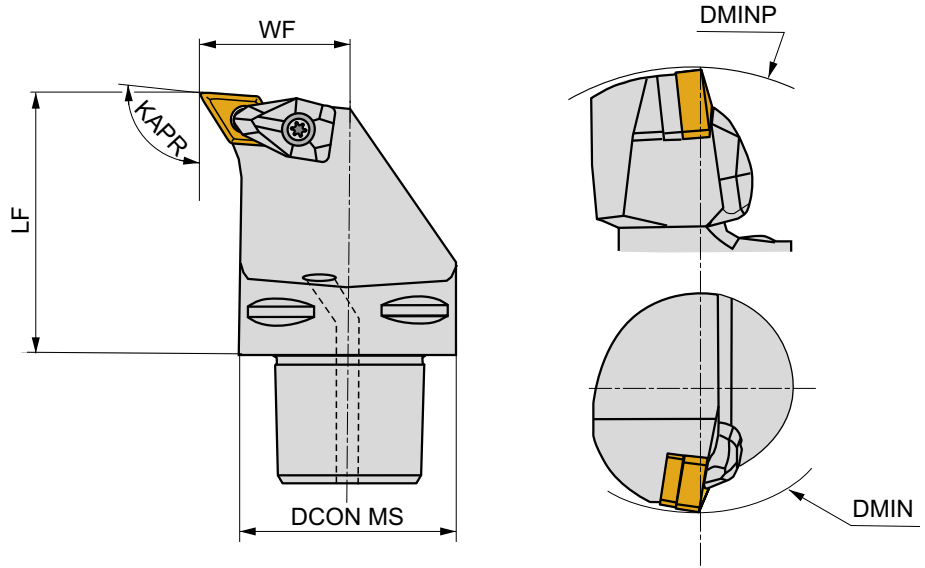
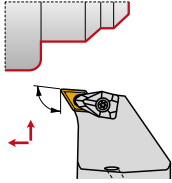


C.-DDUN(RL) EXT

P M K N S H

D

PRAMET



	DCON MS	DMIN	DMINP	WF	LF	KAPR	LAMS	GAMO					
	[mm]	[mm]	[mm]	[mm]	[mm]	[°]	[°]	[°]					
C5-DDUNR/L-35060-15	50	110	165	35	60	93	-7	-6	✓	0,80	GI044	C-DD154-3	AT002
C6-DDUNR-45065-15	63	110	190	45	65	93	-7	-6	✓	1,35	GI044	C-DD154-3	AT002

GI044						DN.. 1506..							

C-DD154-3	DCS 12	3,9	DDS 266-02	US 2002-T15P	FLAG T15P/3,5	CN 034-02		

AT002	DN.. 1504..	-	DDS 266-01
AT002	CER DN.N 1506..	DCS 12C4	-
AT002	CER DN.A 1506..	DCS 12C2	-
AT002	CER DN.N 1504..	DCS 12C4	DDS 266-01
AT002	CER DN.A 1504..	DCS 12C2	DDS 266-01