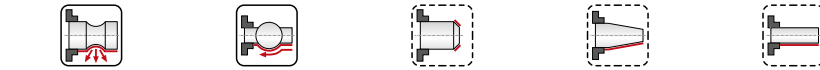
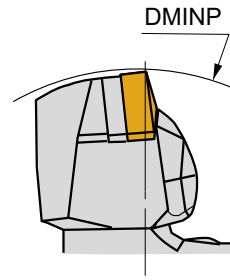
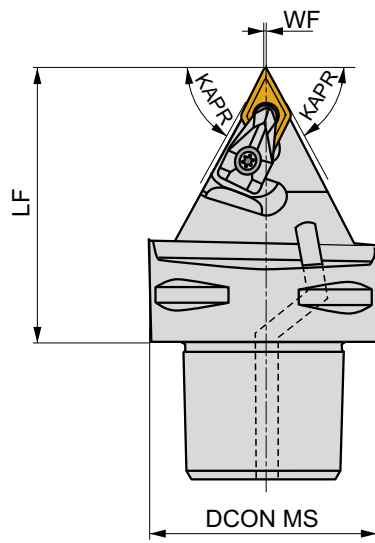
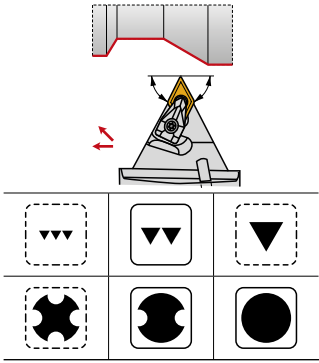


C.-DDNNN EXT

P M K N S H

D

PRAMET



	DCON MS	DMINP	WF	LF	KAPR	LAMS	GAMO		kg			
	[mm]	[mm]	[mm]	[mm]	[°]	[°]	[°]					
C5-DDNNN-00060-15	50	165	0,5	60	62,5	-9	-5	✓	0,62	GI044	C-DD154-2	AT002
C6-DDNNN-00065-15	63	190	0,5	65	62,5	-9	-5	✓	1,06	GI044	C-DD154-2	AT002

	GI044											
					DN.. 1506..							

C-DD154-2	DCS 12	3,9	DDS 266-02	US 2002-T15P	FLAGT15P/3,5		CN 045-01

AT002	DN.. 1504..	-	DDS 266-01
AT002	CER DN.N 1506..	DCS 12C4	-
AT002	CER DN.A 1506..	DCS 12C2	-
AT002	CER DN.N 1504..	DCS 12C4	DDS 266-01
AT002	CER DN.A 1504..	DCS 12C2	DDS 266-01