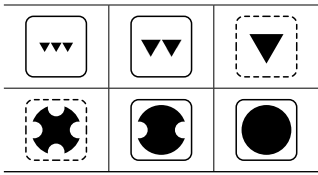
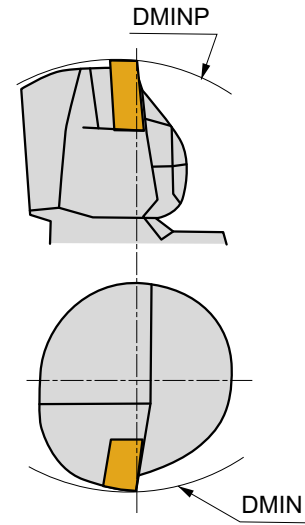
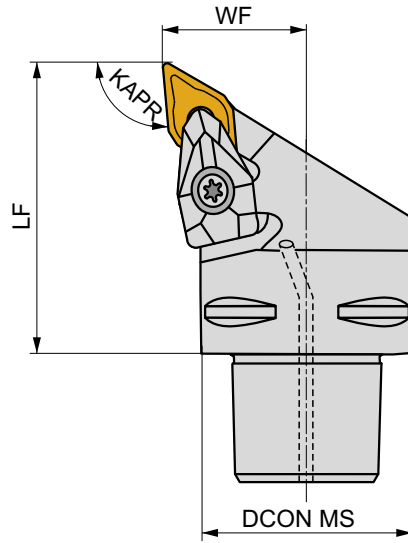
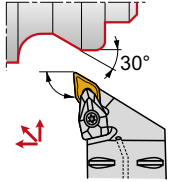
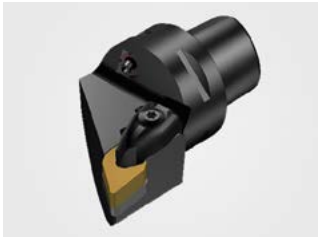


C-DDJN(RL) EXT

P M K N S H

D

PRAMET



	DCON MS	DMIN	DMINP	WF	LF	KAPR	LAMS	GAMO					
	[mm]	[mm]	[mm]	[mm]	[mm]	[°]	[°]	[°]					
C4-DDJNR/L-27050-11	40	60	140	27	50	93	-7	-6	✓	0,39	GI046	C-DD11	-
C4-DDJNR/L-27055-15	40	110	145	27	55	93	-7	-6	✓	0,46	GI044	C-DD154-1	AT002
C5-DDJNR/L-35060-15	50	110	165	35	60	93	-7	-6	✓	0,72	GI044	C-DD154-2	AT002
C6-DDJNR/L-45065-15	63	110	190	45	65	93	-7	-6	✓	1,18	GI044	C-DD154-3	AT002

GI046		DN.. 1104..
GI044		DN.. 1506..

C-DD11	DCS 09	1,7	DDS 267-01	US 2004-T09P	FLAG T09P	CN 034-01
C-DD154-1	DCS 12	3,9	DDS 266-02	US 2002-T15P	FLAG T15P/3,5	CN 034-01
C-DD154-2	DCS 12	3,9	DDS 266-02	US 2002-T15P	FLAG T15P/3,5	CN 045-01
C-DD154-3	DCS 12	3,9	DDS 266-02	US 2002-T15P	FLAG T15P/3,5	CN 034-02

AT002	DN.. 1504..	-	DDS 266-01
AT002	CER DN.N 1506..	DCS 12C4	-
AT002	CER DN.A 1506..	DCS 12C2	-
AT002	CER DN.N 1504..	DCS 12C4	DDS 266-01
AT002	CER DN.A 1504..	DCS 12C2	DDS 266-01