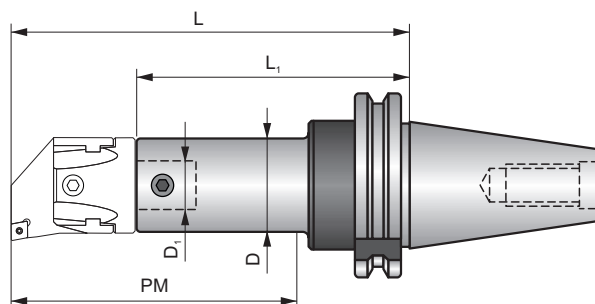






69871-BS



ISO		Size	D	D ₁	L	L ₁	PM			
AS 330 022 100 R	30	22	22	12	138	104	100	✓	US 0608	0,70
AS 330 027 055 R	30	27	27	15	90	48	55	✓	US 0609	0,56
AS 330 027 100 R	30	27	27	15	138	96	100	✓	US 0609	0,74
AS 330 032 060 R	30	32	32	20	96	51	60	✓	US 0810	0,54
AS 330 032 100 R	30	32	32	20	138	93	100	✓	US 0810	0,80
AS 340 022 080 R	40	22	22	12	118	84	80	✓	US 0608	1,25
AS 340 022 100 R	40	22	22	12	138	104	100	✓	US 0608	1,24
AS 340 027 055 R	40	27	27	15	90	48	55	✓	US 0609	1,09
AS 340 027 100 R	40	27	27	15	138	96	100	✓	US 0609	1,30
AS 340 027 130 R	40	27	27	15	168	126	130	✓	US 0609	1,43
AS 340 032 060 R	40	32	32	20	96	51	60	✓	US 0810	1,10
AS 340 032 100 R	40	32	32	20	138	93	100	✓	US 0810	1,35
AS 340 032 130 R	40	32	32	20	168	123	130	✓	US 0810	1,52
AS 340 042 075 R	40	42	42	24	112	56	75	✓	US 1014	1,16
AS 340 042 160 R	40	42	42	24	182	126	160	✓	US 1014	1,90
AS 340 042 200 R	40	42	42	24	222	166	200	✓	US 1014	2,50
AS 340 054 120 R	40	54	54	28	142	76	120	✓	US 1219	1,60
AS 340 054 160 R	40	54	54	28	182	116	160	✓	US 1219	2,28
AS 340 054 200 R	40	54	54	28	222	156	200	✓	US 1219	3,11
AS 340 068 160 R	40	68	68	36	183	97	160	✓	US 1625	2,42
AS 340 068 200 R	40	68	68	36	223	137	200	✓	US 1625	3,63
AS 340 085 200 R	40	85	85	50	224	124	200	✓	US 1630	4,23
AS 340 100 200 R	40	100, 200	100	60	224	124	200	✓	US 2032	5,16
AS 350 022 080 R	50	22	22	12	118	84	80	✓	US 0608	3,45
AS 350 022 100 R	50	22	22	12	138	104	100	✓	US 0608	3,40
AS 350 027 055 R	50	27	27	15	90	48	55	✓	US 0609	3,30
AS 350 027 100 R	50	27	27	15	138	96	100	✓	US 0609	3,48
AS 350 027 130 R	50	27	27	15	168	126	130	✓	US 0609	3,70
AS 350 032 060 R	50	32	32	20	96	51	60	✓	US 0810	2,98
AS 350 032 130 R	50	32	32	20	168	123	130	✓	US 0810	3,71
AS 350 032 160 R	50	32	32	20	198	153	160	✓	US 0810	3,98
AS 350 042 075 R	50	42	42	24	112	56	75	✓	US 1014	3,39
AS 350 042 160 R	50	42	42	24	198	142	160	✓	US 1014	4,26
AS 350 042 200 R	50	42	42	24	238	182	200	✓	US 1014	5,15
AS 350 054 090 R	50	54	54	28	128	62	90	✓	US 1219	3,55
AS 350 054 160 R	50	54	54	28	198	132	160	✓	US 1219	4,74
AS 350 054 200 R	50	54	54	28	238	172	200	✓	US 1219	5,50
AS 350 068 115 R	50	68	68	36	151	65	115	✓	US 1625	3,66
AS 350 068 200 R	50	68	68	36	223	137	200	✓	US 1625	5,80

ISO		Size	D	D ₁	L	L ₁	PM			
AS 350 068 260 R	50	68	68	36	283	197	260	✓	US 1625	7,54
AS 350 085 200 R	50	85	85	50	224	124	200	✓	US 1630	6,20
AS 350 085 260 R	50	85	85	50	284	184	260	✓	US 1630	9,30
AS 350 085 320 R	50	85	85	50	344	244	320	✓	US 1630	11,65
AS 350 100 190 R	50	100, 200	100	60	214	114	190	✓	US 2032	6,60
AS 350 100 260 R	50	100, 200	100	60	284	184	260	✓	US 2032	11,50
AS 350 100 320 R	50	100, 200	100	60	344	244	320	✓	US 2032	14,60
AS 550 160	50	300, 400, 500	100	60	160	70	125	-	US 1240	5,55