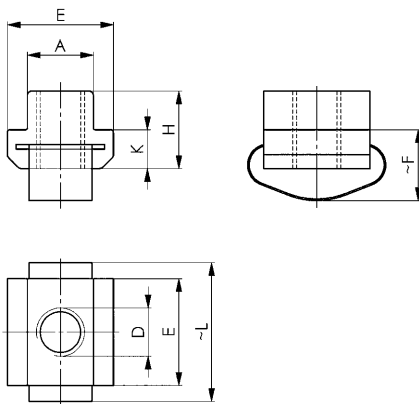


No. 508F

T-nuts with spring

tempered, grade 10.
Spring: Stainless steel.



Order no.	D x Slot	Test force [kN]	A	E	F	H	K	L	Weight [g]
89730	M8x12	29	11,7	18	12,5	14	7	31	24
89755	M8x14	29	13,7	22	13,5	16	8	33	42
89789	M8x16	29	15,7	25	15,5	18	9	42	63
89748	M10x12	46	11,7	18	12,5	14	7	31	21
89763	M10x14	46	13,7	22	13,5	16	8	33	38
89797	M10x16	46	15,7	25	15,5	18	9	42	60
89813	M10x18	46	17,7	28	17,5	20	10	43	87
89771	M12x14	67	13,7	22	13,5	16	8	33	34
89839	M16x18	128	17,7	28	17,5	20	10	43	70
89904	M20x22	196	21,7	35	21,5	28	14	56	153

Advantage:

- stable position in the T-slot, especially in vertical position
- easy screwing of the stud, pull rod etc.
- slot cleaning effect

Note:

For test force see DIN 508

Recommendations



DIN 6379,
page 88



DIN 6331,
page 96



DIN 6340,
page 101

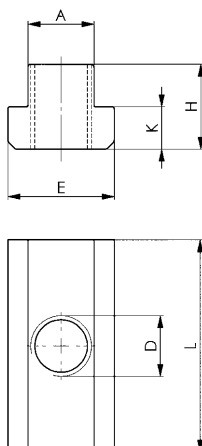
CAD



No. 508L

Nuts for T-slots, extended

tempered, grade 10.



Order no.	D x Slot	Test force [kN]	A	E	H	K	L	Packaging Unit	Weight [g]
84640	M5x6	11,4	5,7	10	8	4	20	50	8
84657	M6x8	16,0	7,7	13	10	6	26	50	14
84665	M8x10	29,0	9,7	15	12	6	30	50	30
84673	M10x12	46,0	11,7	18	14	7	36	50	49
84681	M12x14	67,0	13,7	22	16	8	44	25	82
84699	M14x16	-	15,7	25	18	9	50	50	120
84707	M16x18	128,0	17,7	28	20	10	56	20	170
84715	M18x20	-	19,7	32	24	12	64	10	260
84723	M20x22	196,0	21,7	35	28	14	70	-	360
84749	M24x28	282,0	27,7	44	36	18	88	-	730
84764	M30x36	448,0	35,6	54	44	22	108	-	1390

Advantage:

This extended form safeguards the T-slots of precision machine tables.

Note:

For test force see DIN 508

Recommendations



DIN 6379,
page 88



DIN 6331,
page 96



DIN 6340,
page 101

CAD



Subject to technical alterations.