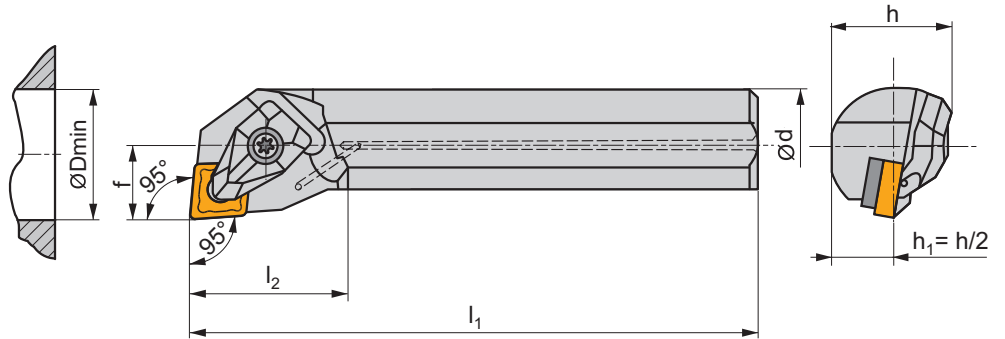
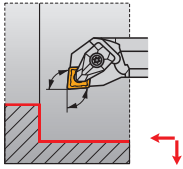


DCLN(RL) INT
P M K N S H


ISO	d	D _{min}	f	h	l ₁	l ₂	λ°	γ°				
A25T-DCLNR/L 09	25	32	17	23	300	31,0	-11	-6	✓	1,10	GI133	DC09
A25T-DCLNR/L 12	25	32	17	23	300	31,0	-12	-6	✓	1,10	GI043	DCI12
A32T-DCLNR/L 12	32	40	22	30	300	30,0	-10	-6	✓	1,80	GI043	DCI12
A40T-DCLNR/L 12	40	50	27	37	300	32,0	-15	-6	✓	2,60	GI043	DC12



GI043

CN.. 1204..

GI133

CN.. 0903..



DC09

DCS 09

1,7

DCS 236-04

US 2004-T09P

FLAG T09P

-

DC12

DCS 12

3,9

DCS 234-01

US 2002-T15P

FLAG T15P/3,5

-

DCI12

DCS 12

3,9

DCS 236-03

US 2002-T15P

FLAG T15P/3,5

-