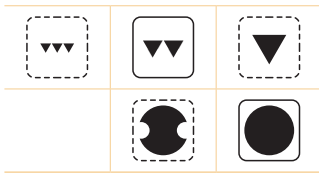
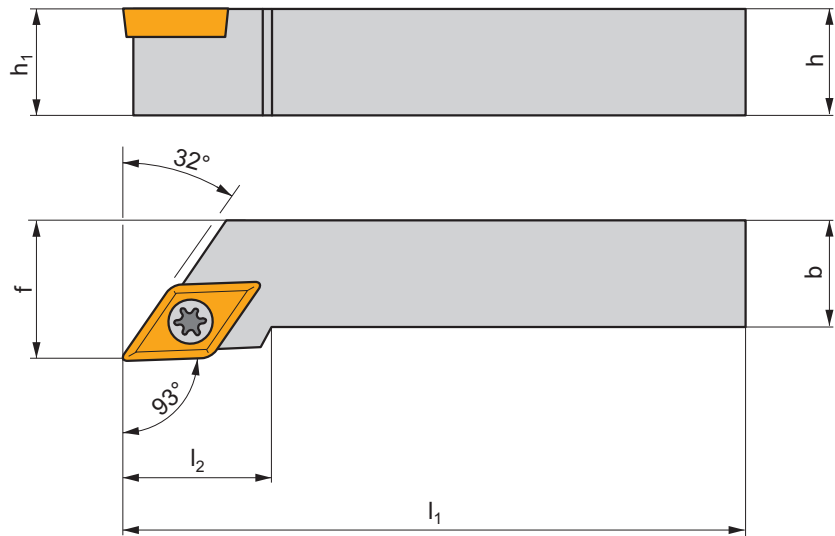
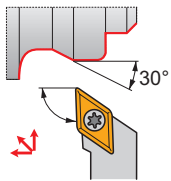


SDJCR(L) EXT
P M K N S H


| ISO | $h=h_1$ | b | f | l_1 | l_2 | λ_s° | γ° | kg | | |
|-----------------------|---------|----|----|-------|-------|-------------------|----------------|------|-------|------|
| SDJCR/L 0808 D 07 | 8 | 8 | 10 | 60 | 14,0 | 0 | 0 | 0,04 | GI052 | SO1 |
| SDJCR/L 1010 E 07 | 10 | 10 | 12 | 70 | 14,0 | 0 | 0 | 0,06 | GI052 | SO1 |
| SDJCR/L 1212 F 07 | 12 | 12 | 16 | 80 | 14,0 | 0 | 0 | 0,10 | GI052 | SO1 |
| SDJCR/L 1212 F 11 | 12 | 12 | 16 | 80 | 20,0 | 0 | 0 | 0,10 | GI012 | SO8 |
| SDJCR/L 1616 H 11 | 16 | 16 | 20 | 100 | 20,0 | 0 | 0 | 0,20 | GI012 | SO8 |
| SDJCR/L 2020 K 11-M-A | 20 | 20 | 25 | 125 | 20,0 | 0 | 0 | 0,40 | GI012 | SD10 |
| SDJCR/L 2525 M 11-M-A | 25 | 25 | 32 | 150 | 20,0 | 0 | 0 | 0,75 | GI012 | SD10 |
| SDJCR/L 2525 M 15 | 25 | 25 | 32 | 150 | 28,0 | 0 | 0 | 0,75 | GI243 | SD11 |

| GI012 | DC.. 11T3.. |
|-------|-------------|
| GI052 | DC.. 0702.. |
| GI243 | DC.. 1504.. |

| SD10 | US 3510-T15P | 3,0 | M3,5 | 10,6 | SDN 110304 | MS 3510 | FLAG T15P | HXK 3,5 |
|------|---------------|-----|------|------|------------|---------|-----------|---------|
| SD11 | US 64518-T15P | 5,0 | M4,5 | 18 | SDN 150304 | MS 4512 | FLAG T15P | HXK 5 |
| SO1 | US 2506-T07P | 0,9 | M2,5 | 6,5 | - | - | FLAG T07P | - |
| SO8 | US 3510-T15P | 3,0 | M3,5 | 10,6 | - | - | FLAG T15P | - |