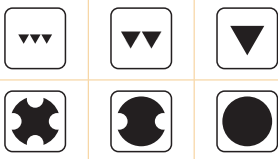
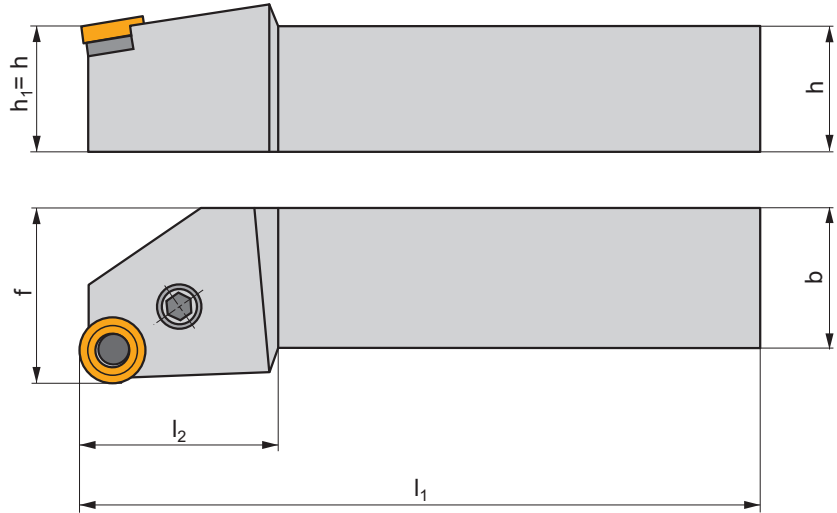
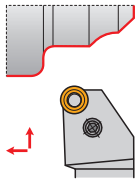


PRSN(RL) EXT

P **M** **K**



ISO	$h=h_1$	b	f	l_1	l_2	λ_s°	γ°	kg		
PRSNR/L 2525 M 12	25	25	32	150	32,0	-6	-6	0,68	GI083	PR20
PRSNR/L 3232 P 15	32	32	40	170	38,0	-6	-6	1,40	GI105	PR40
PRSNR/L 4040 R 19	40	40	50	200	40,0	-6	-6	1,40	GI106	PR50

GI083	RN.. 120400
GI105	RN.. 150600
GI106	RN.. 190600

PR20	RNU 120300	PU 02	US 35	6,0	M8x1	22,5	NT 05	MT 05	HXK 4
PR40	RNU 150300	PU 04	US 36	6,0	M8x1	26	NT 07	MT 07	HXK 4
PR50	RNU 190400	PU 05	US 38	8,0	M10x1	29	NT 06	MT 06	HXK 5