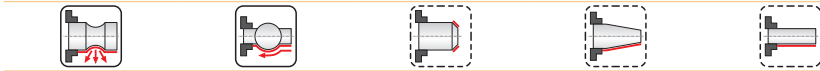
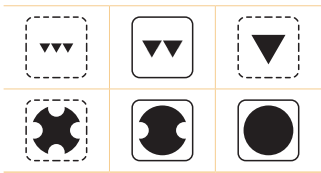
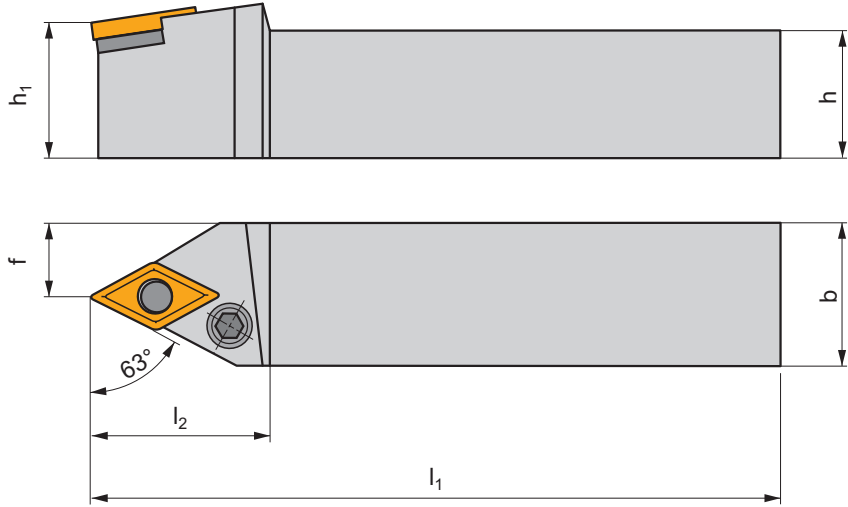
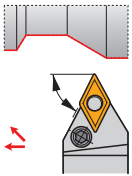


PDNN(RL) EXT

P M K N S H

P



ISO	$h=h_1$	b	f	l_1	l_2	λ_s°	γ°	kg		
PDNNR/L 2020 K 11	20	20	10	125	24,0	-6	-6	0,44	GI046	PD60
PDNNR/L 2525 M 11	25	25	12,5	150	30,0	-6	-6	0,64	GI046	PD60
PDNNR/L 2525 M 15	25	25	12,5	150	40,0	-6	-6	0,64	GI044	PD30
PDNNR/L 3225 P 15	32	25	12,5	170	40,0	-6	-6	0,82	GI044	PD30

GI044	DN.. 1506..
GI046	DN.. 1104..

PD30	DNU 150308	PU 03	US 36	6,0	M8x1	26	NT 05	MT 05	HXK 4
PD60	PDN 110308	PU 3512	PS 0616	3,0	M6	16	NT 5153	MT 0912	HXK 2,5