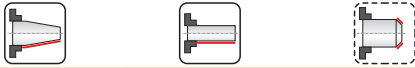
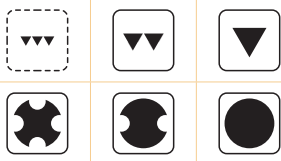
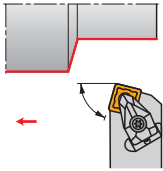
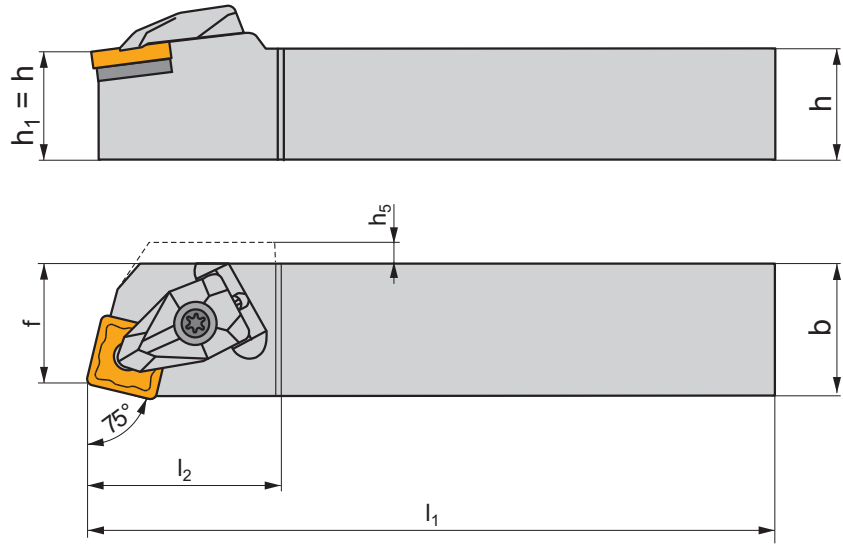


DSBN(RL) EXT

P **M** **K** **N** **S** **H**

D



ISO	$h=h_1$	b	f	l_1	l_2	h_5	λ_s°	γ°	kg			
DSBNR/L 2020 K 12	20	20	17	125	34,2	2,5	-6	-6	0,50	GI029	DS12	AT003
DSBNR/L 2525 M 12	25	25	22	150	34,3	-	-6	-6	0,80	GI029	DS12	AT003
DSBNR/L 2525 M 15	25	25	22	150	41,6	2,0	-6	-6	0,80	GI082	DS15	AT006
DSBNR/L 3225 P 15	32	25	22	170	41,7	2,0	-6	-6	1,10	GI082	DS15	AT006
DSBNR/L 3232 P 19	32	32	27	170	46,4	-	-6	-6	1,40	GI026	DS19	-
DSBNR/L 4040 S 19	40	40	35	250	46,5	-	-6	-6	3,10	GI026	DS19	-

GI026		SN.. 1906..
GI029		SN.. 1204..
GI082		SN.. 1506..

DS12	DCS 12	3,9	DSS 425-01	US 2002-T15P	FLAG T15P/3,5	-
DS15	DCS 16	6,4	DSS 425-03	US 2007-T20P	-	LK T20P
DS19	DCS 19	6,4	DSS 425-04	US 2007-T20P	-	LK T20P

AT003	SN.. 1207..	-	DSS 425-02
AT006	SN.. 1507..	-	DSS 425-05
AT003	CER SN.N 1204..	DCS 12C4	-
AT003	CER SN.A 1204..	DCS 12C2	-
AT006	CER SN.N 1506..	DCS 16C4	-
AT006	CER SN.A 1506..	DCS 16C2	-