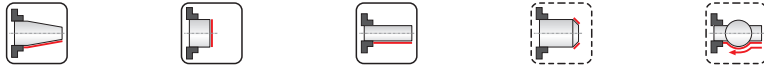
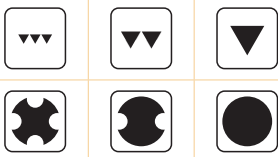
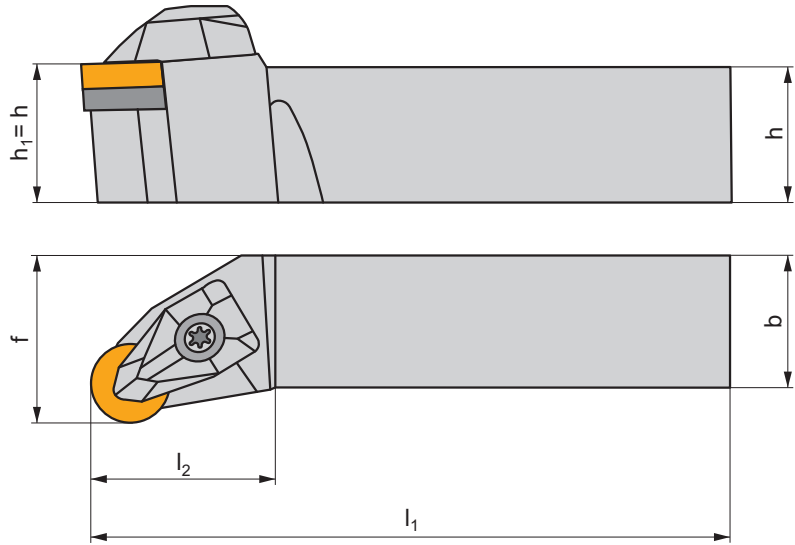
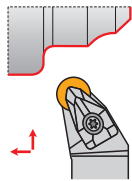


DRSN(RL) EXT

P M K

D



ISO	$h=h_1$	b	f	l_1	l_2	λ_s°	γ°	kg	GI083	DR12
DRSNR/L 2525 M 12	25	25	32	150	31,6	-6	-6	0,80	GI083	DR12



GI083



RN.. 120400



DR12



DCS 12



3,9



DRS 155-02



US 2002-T15P



FLAG T15P/3,5