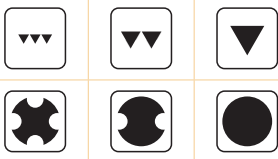
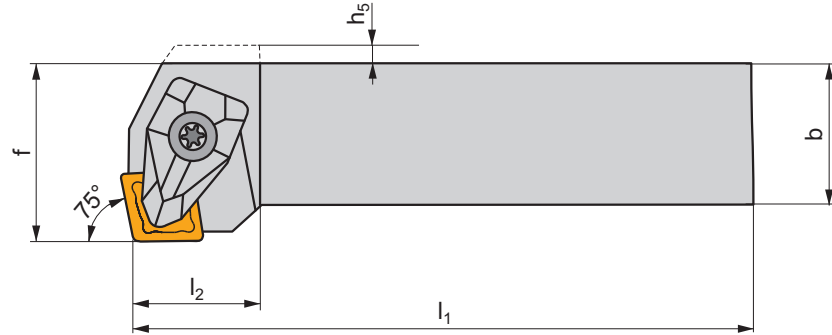
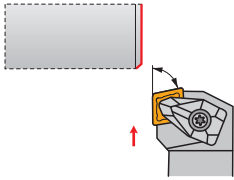
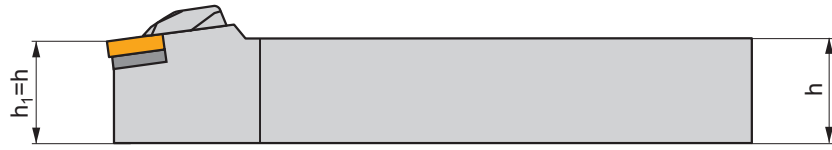
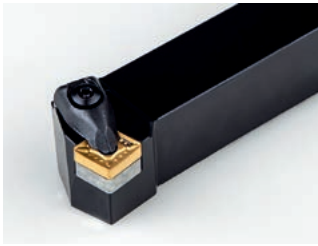


# DCKN(RL) EXT

**P** **M** **K** **N** **S** **H**

**D**



ISO	$h=h_1$	b	f	$l_1$	$l_2$	$h_5$	$\lambda_s^\circ$	$\gamma^\circ$	kg			
DCKNR/L 2020 K 12	20	20	25	125	21,2	4,5	-6	-6	0,50	GI043	DC12	AT001
DCKNR/L 2525 M 12	25	25	32	150	21,1	-	-6	-6	0,80	GI043	DC12	AT001
DCKNR/L 3225 P 12	32	25	32	170	21,1	-	-6	-6	1,10	GI043	DC12	AT001
DCKNR/L 3232 P 16	32	32	40	170	26,0	-	-6	-6	1,50	GI050	DC16	AT005

GI043	CN.. 1204..
GI050	CN.. 1606..

DC12	DCS 12	3,9	DCS 234-01	US 2002-T15P	FLAG T15P/3,5	-
DC16	DCS 16	6,4	DCS 234-03	US 2007-T20P	-	LK T20P

AT001	CN.. 1207..	-	DCS 234-02
AT005	CN.. 1607..	-	DCS 234-04
AT001	CER CN.N 1204..	DCS 12C4	-
AT001	CER CN.A 1204..	DCS 12C2	-
AT005	CER CN.N 1606..	DCS 16C4	-
AT005	CER CN.A 1606..	DCS 16C2	-